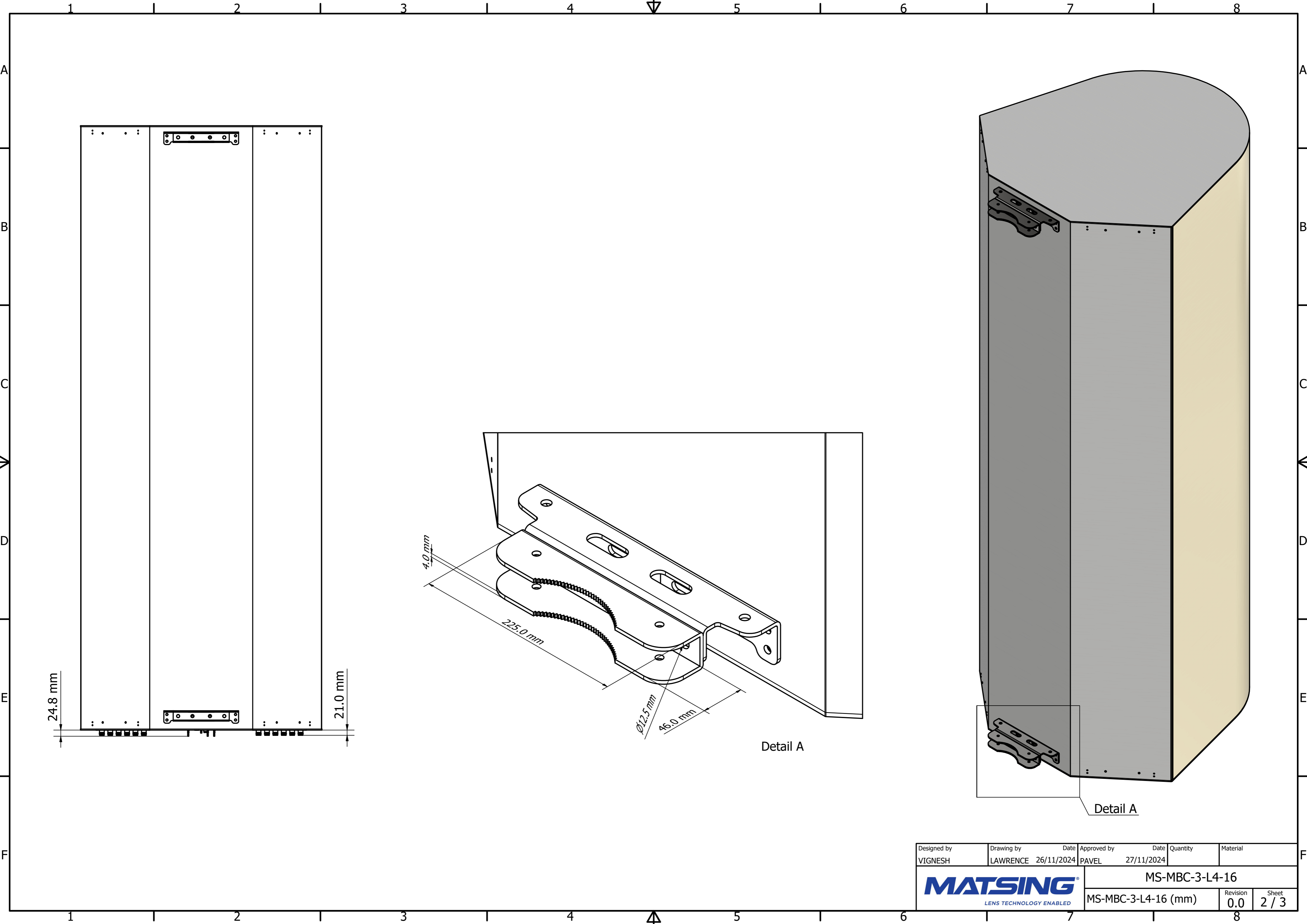


Designed by VIGNESH	Drawing by LAWRENCE	Date 26/11/2024	Approved by PAVEL	Date 27/11/2024	Quantity	Material
MATSING LENS TECHNOLOGY ENABLED						MS-MBC-3-L4-16
					Revision 0.0	Sheet 1 / 3



24.8 mm

21.0 mm

4.0 mm

225.0 mm

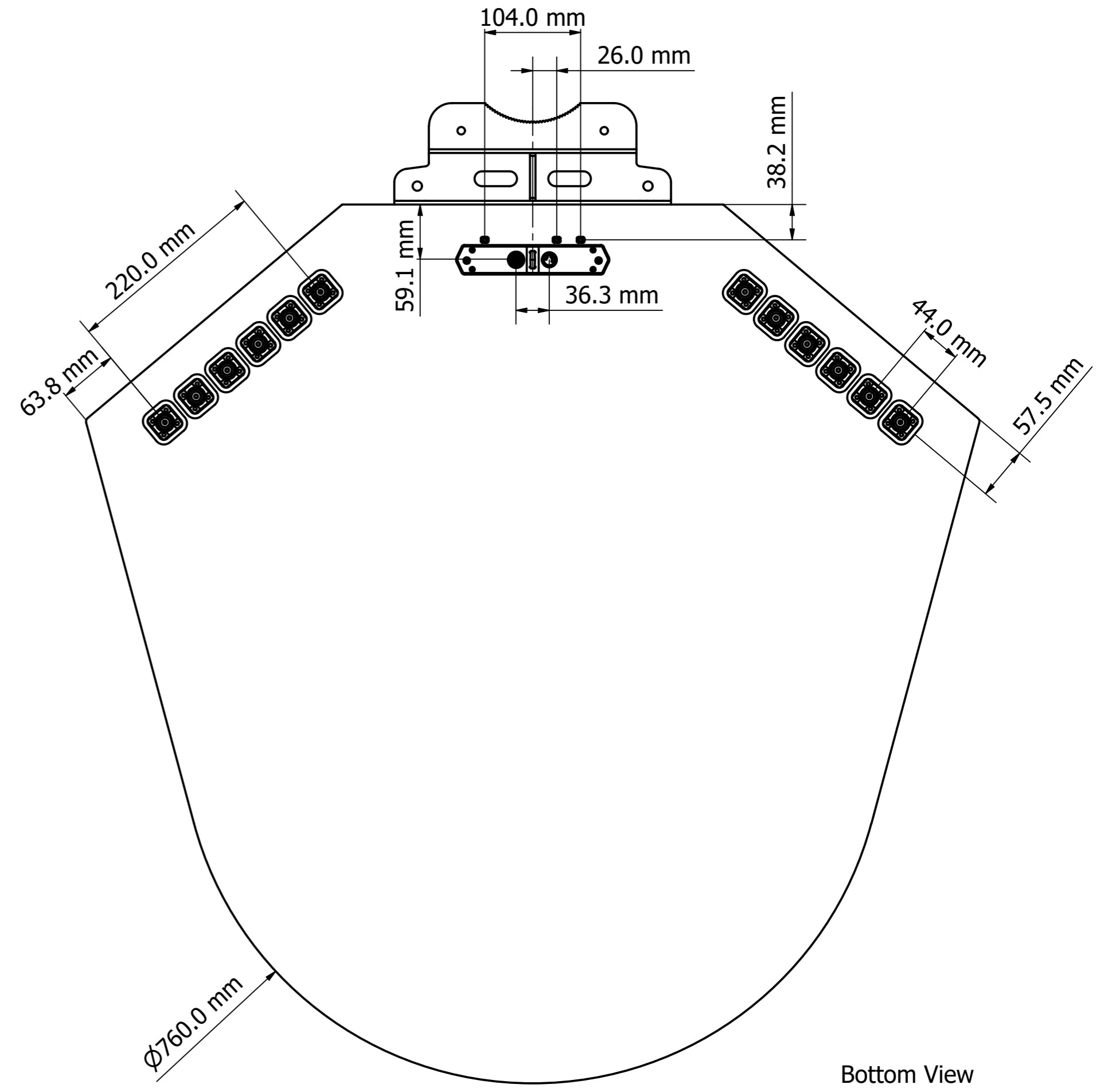
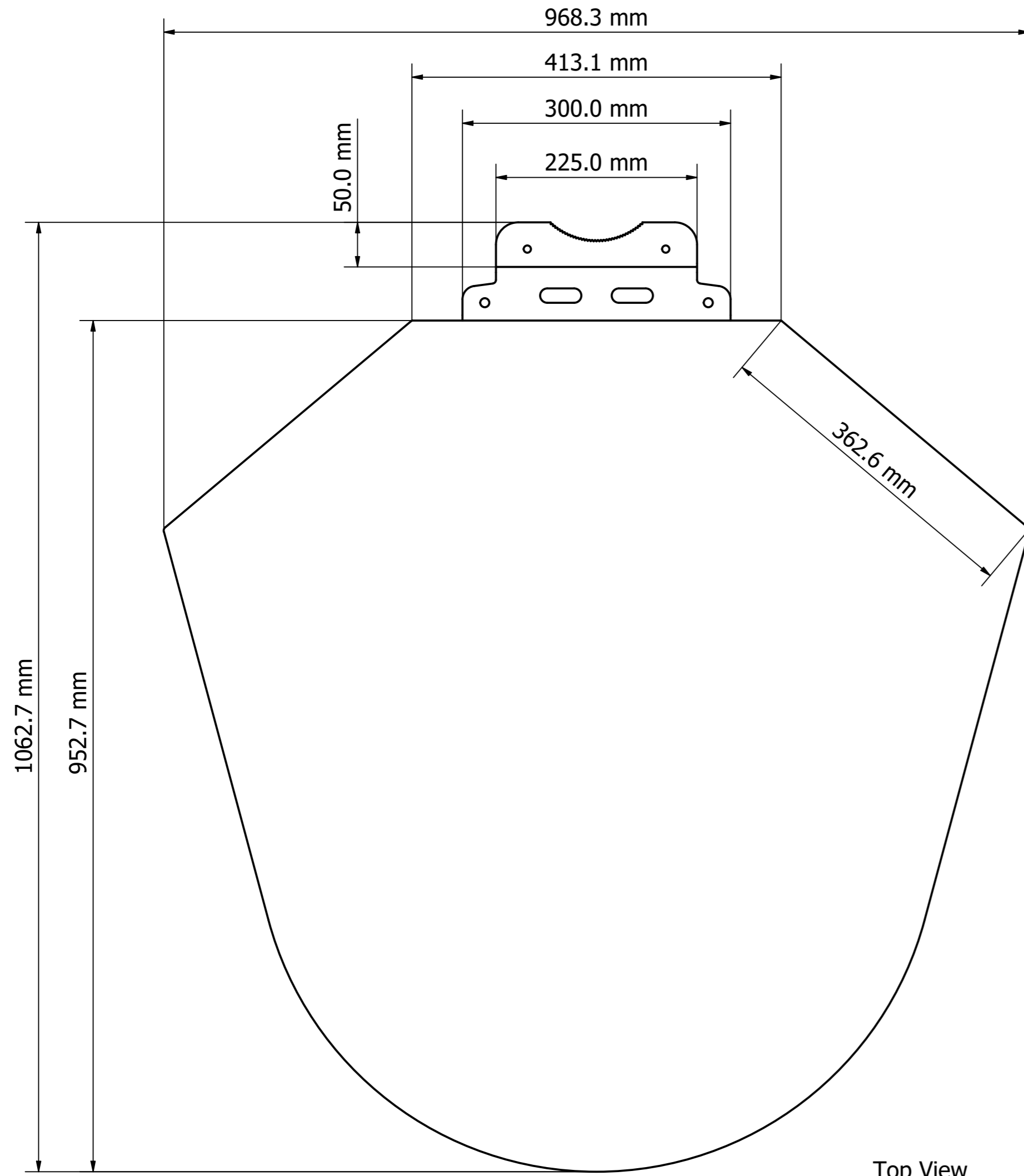
Ø12.5 mm

46.0 mm

Detail A

Detail A

Designed by VIGNESH	Drawing by LAWRENCE	Date 26/11/2024	Approved by PAVEL	Date 27/11/2024	Quantity	Material
MATSING LENS TECHNOLOGY ENABLED						MS-MBC-3-L4-16
MS-MBC-3-L4-16 (mm)					Revision 0.0	Sheet 2 / 3



Designed by VIGNESH	Drawing by LAWRENCE	Date 26/11/2024	Approved by PAVEL	Date 27/11/2024	Quantity	Material
MATSING LENS TECHNOLOGY ENABLED						MS-MBC-3-L4-16
MS-MBC-3-L4-16 (mm)					Revision 0.0	Sheet 3 / 3