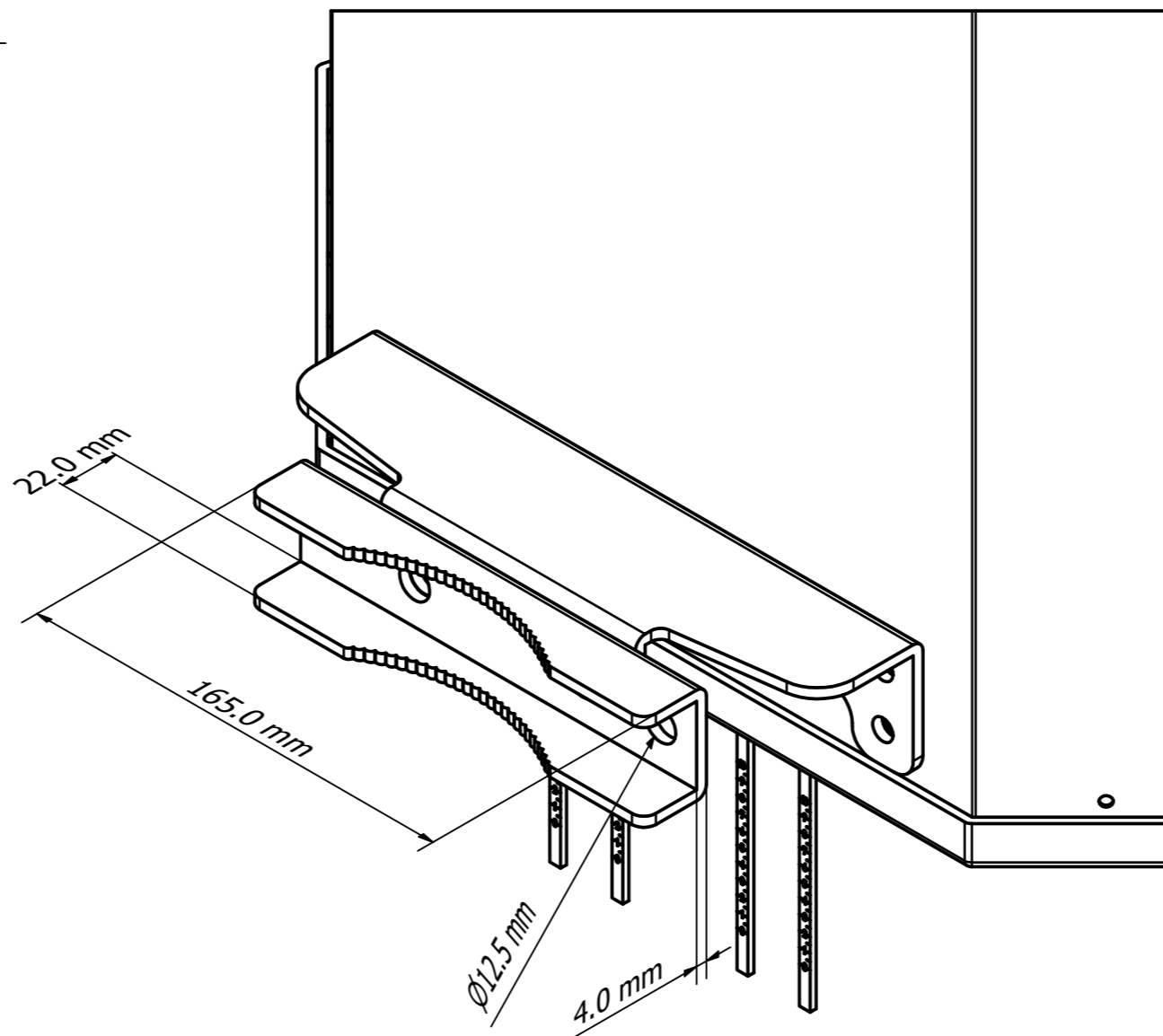
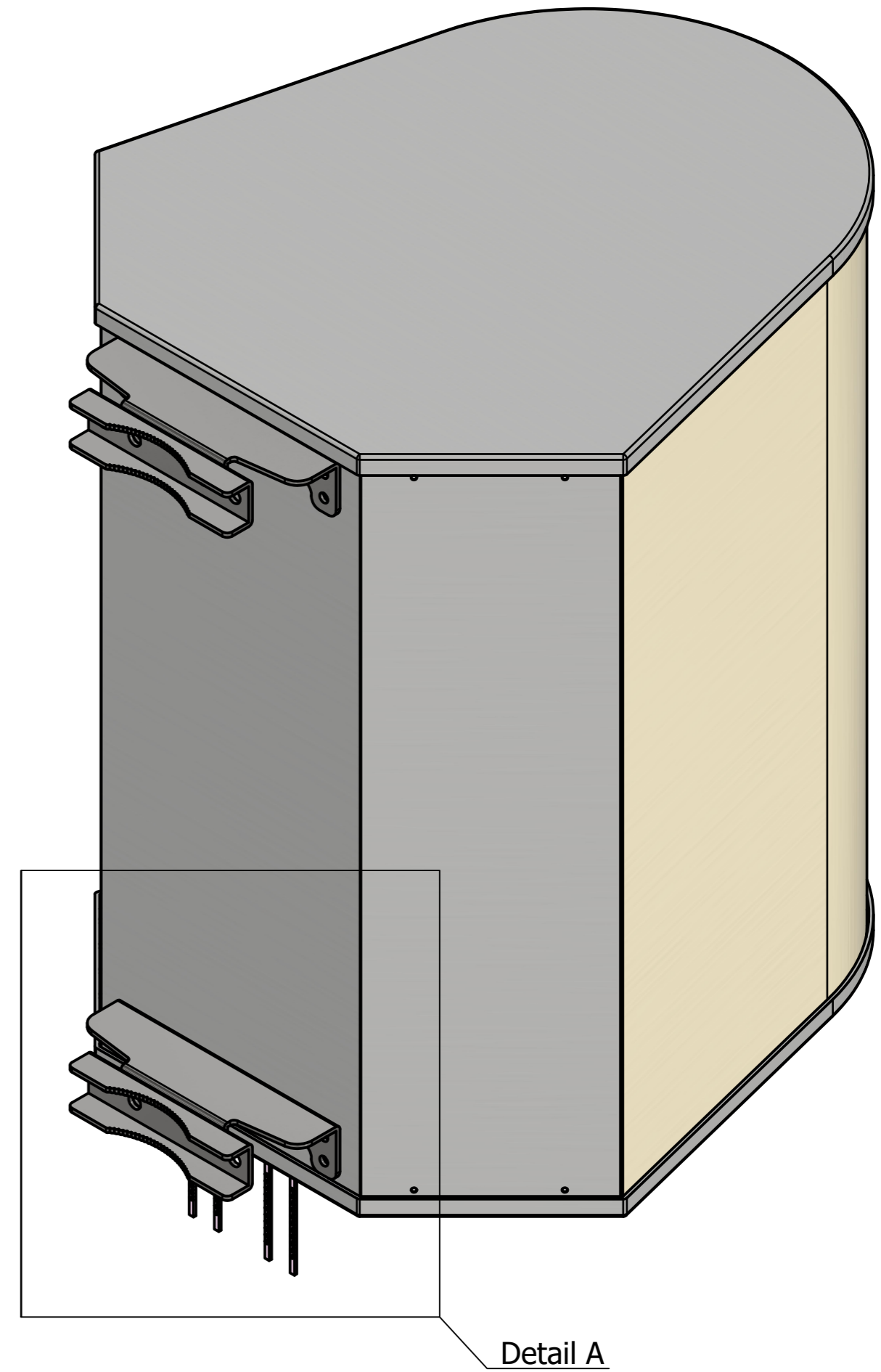
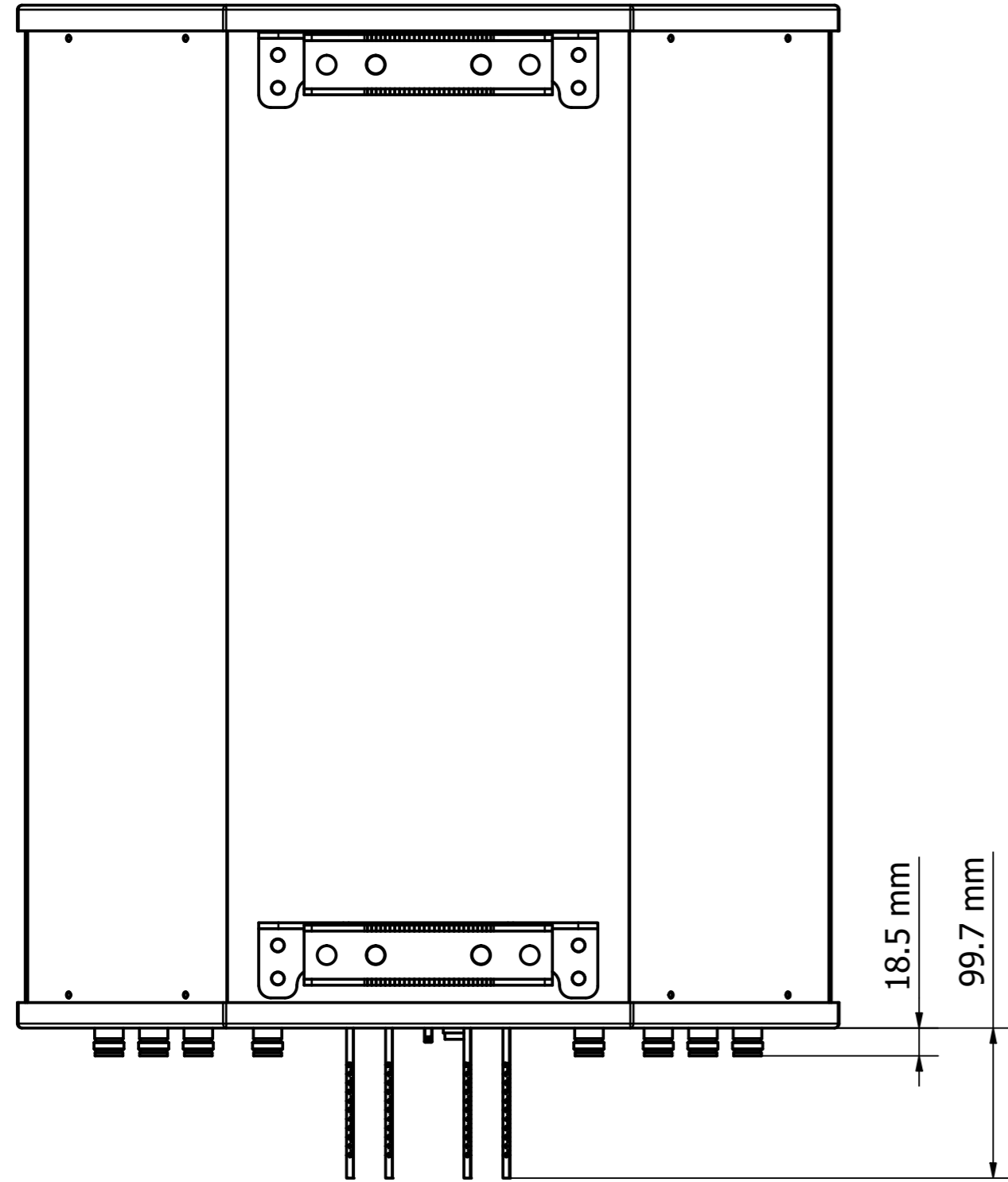
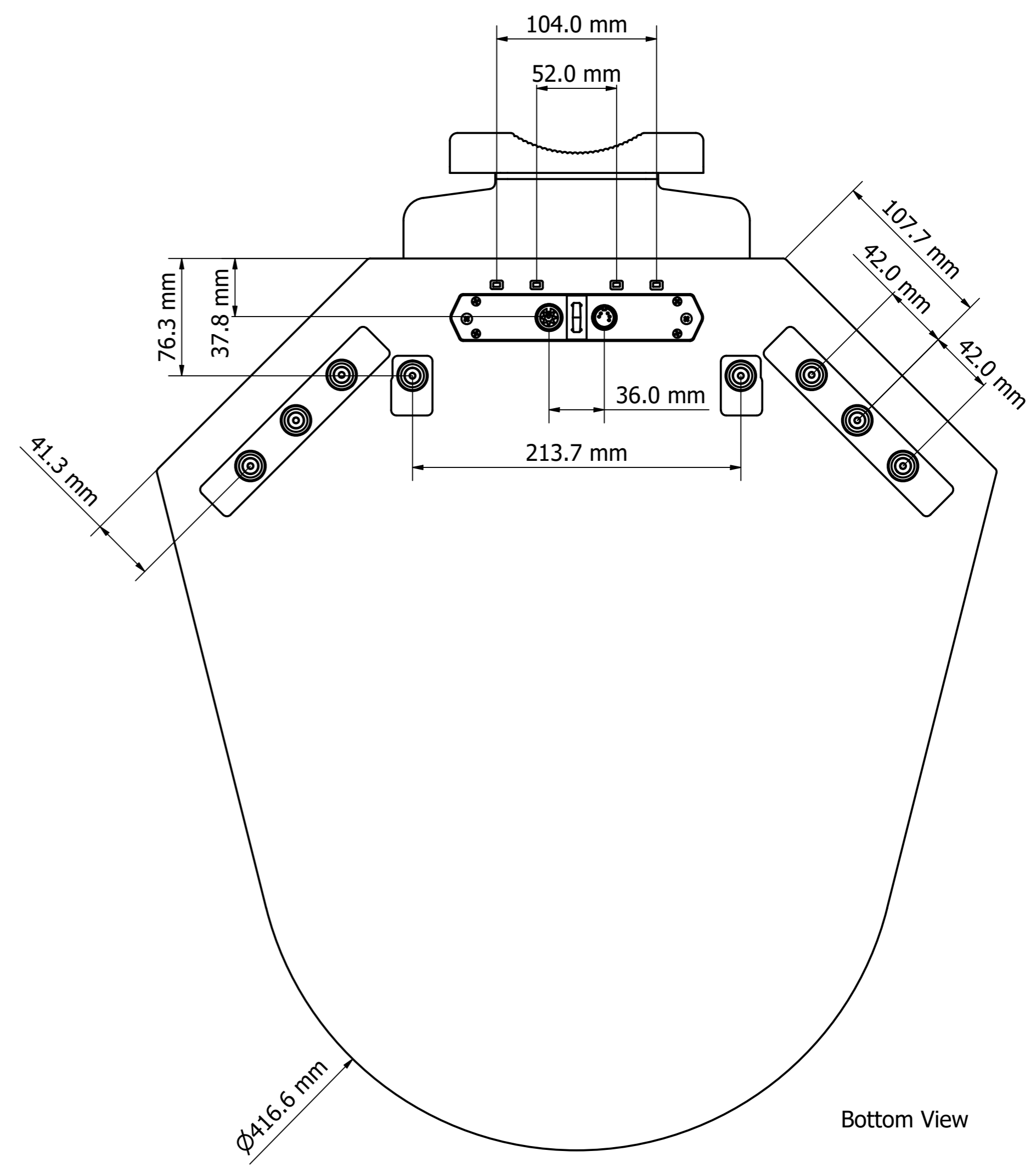
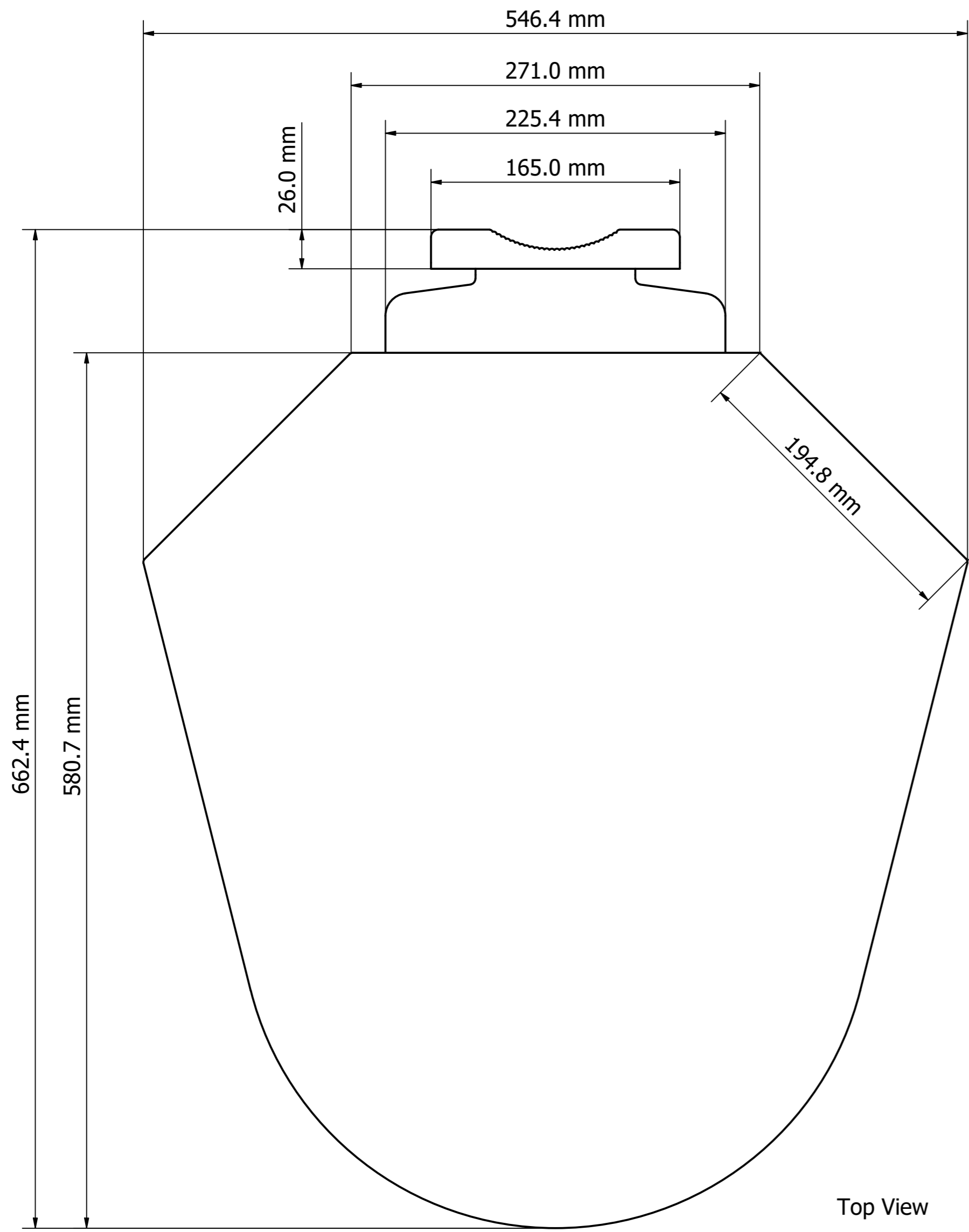


Designed by	Drawing by	Date	Approved by	Date	Quantity	Material
ALEXANDRE	LAWRENCE	19/6/2024	PAVEL	19/6/2024		
<b>MATSING</b> LENS TECHNOLOGY ENABLED						MS-MBC-4-H2-12
						MS-MBC-4-H2-12 (mm)
					Revision	Sheet
					1.0	1 / 3



Designed by	Drawing by	Date	Approved by	Date	Quantity	Material		
ALEXANDRE	LAWRENCE	19/6/2024	PAVEL	19/6/2024				
<b>MATSING</b> LENS TECHNOLOGY ENABLED						MS-MBC-4-H2-12		
						MS-MBC-4-H2-12 (mm)	Revision 1.0	Sheet 2 / 3



Designed by ALEXANDRE	Drawing by LAWRENCE	Date 19/6/2024	Approved by PAVEL	Date 19/6/2024	Quantity	Material
<b>MATSING</b> LENS TECHNOLOGY ENABLED						MS-MBC-4-H2-12
MS-MBC-4-H2-12 (mm)					Revision 1.0	Sheet 3 / 3