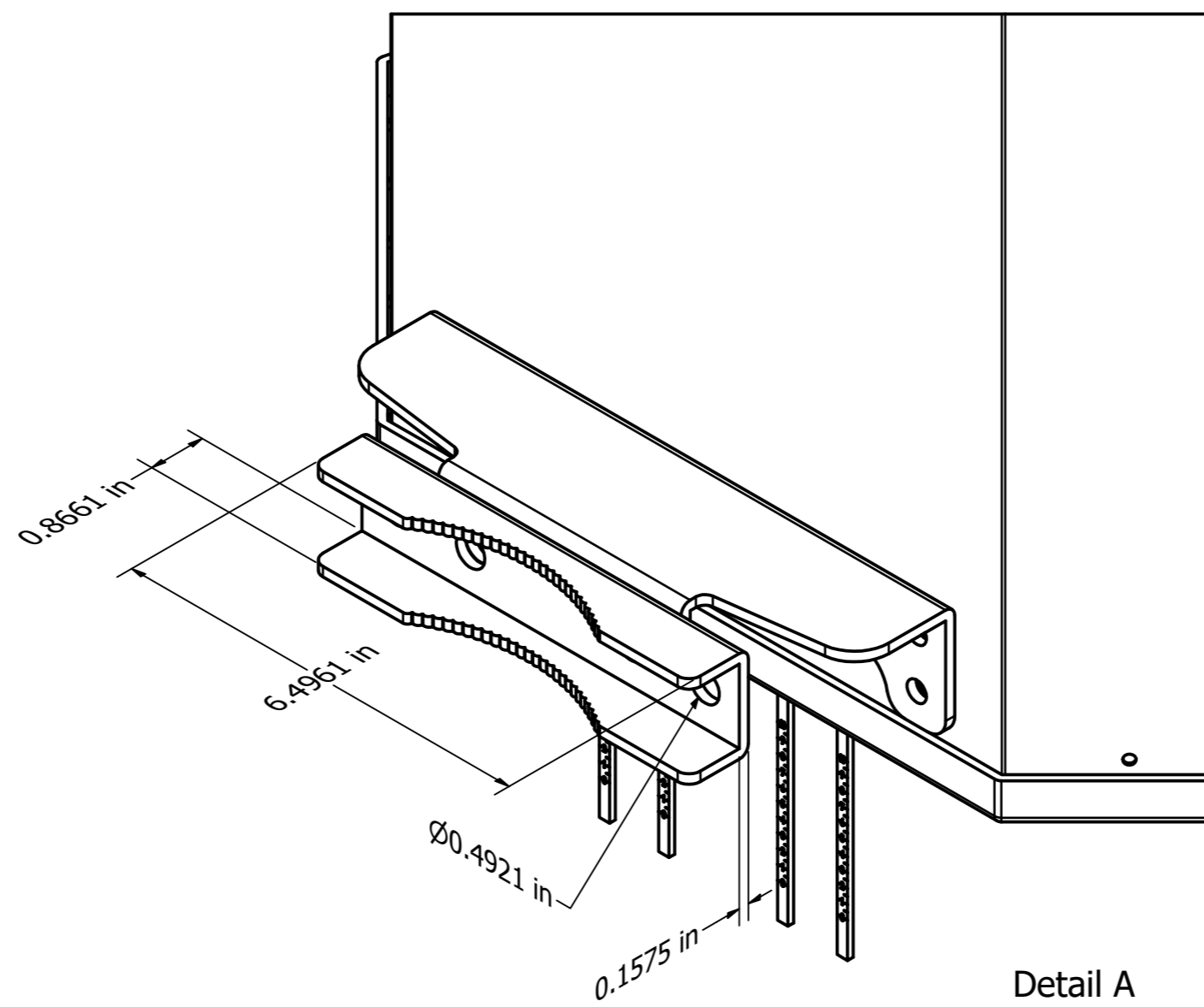
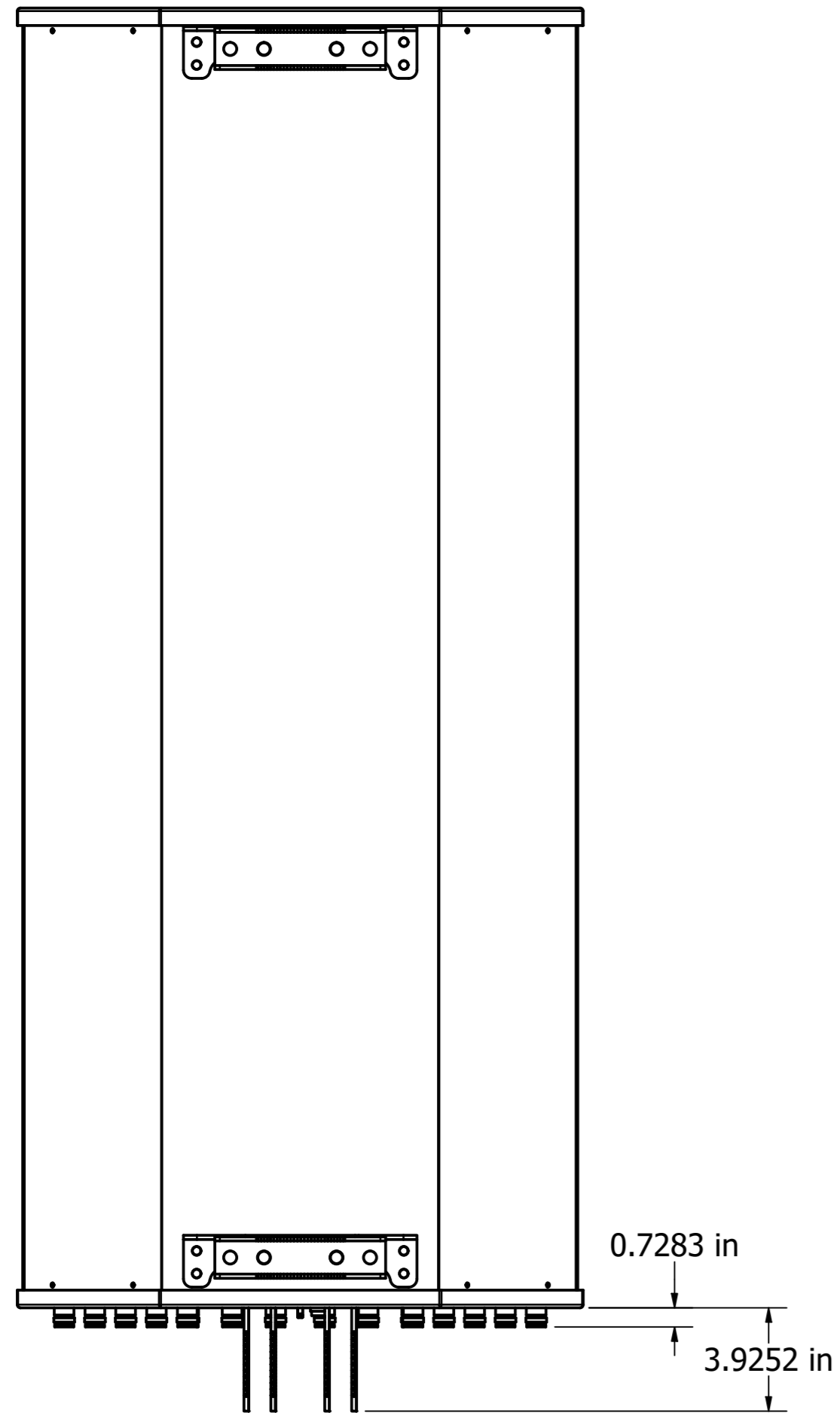
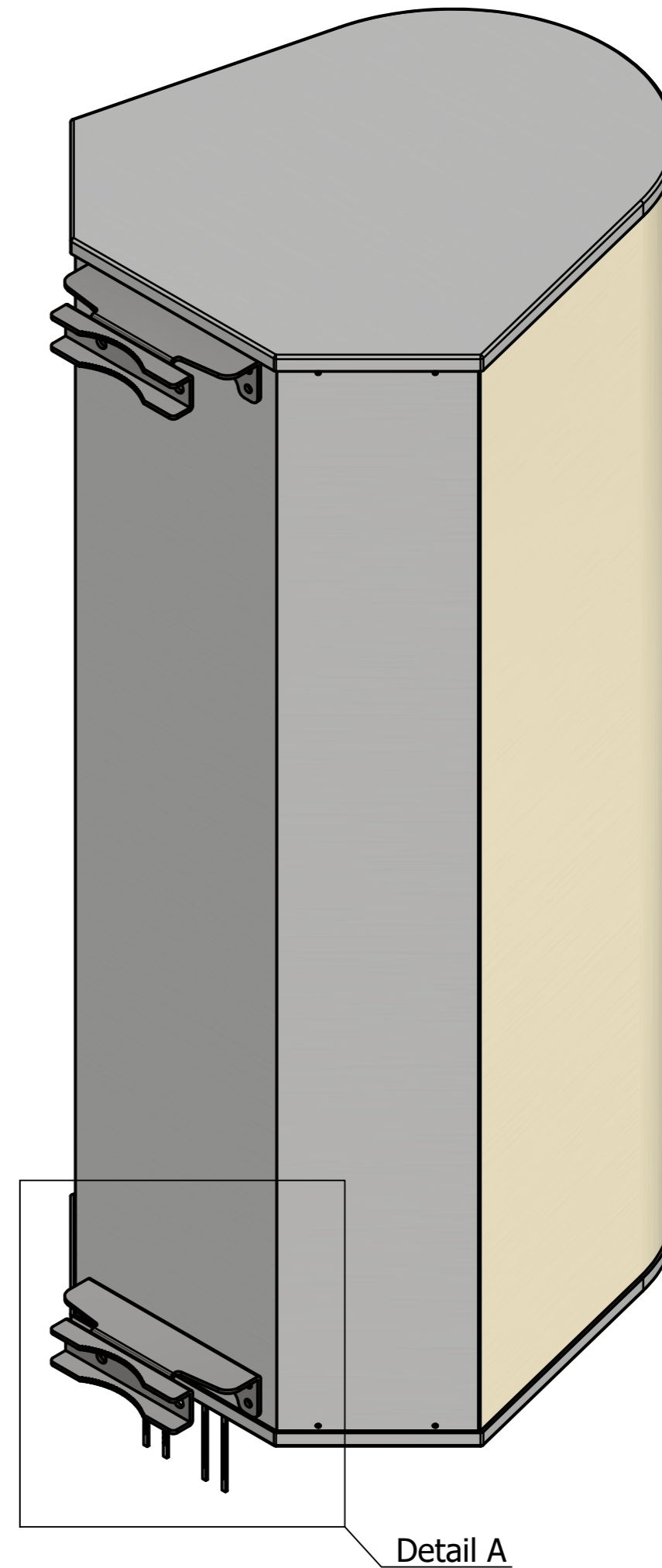


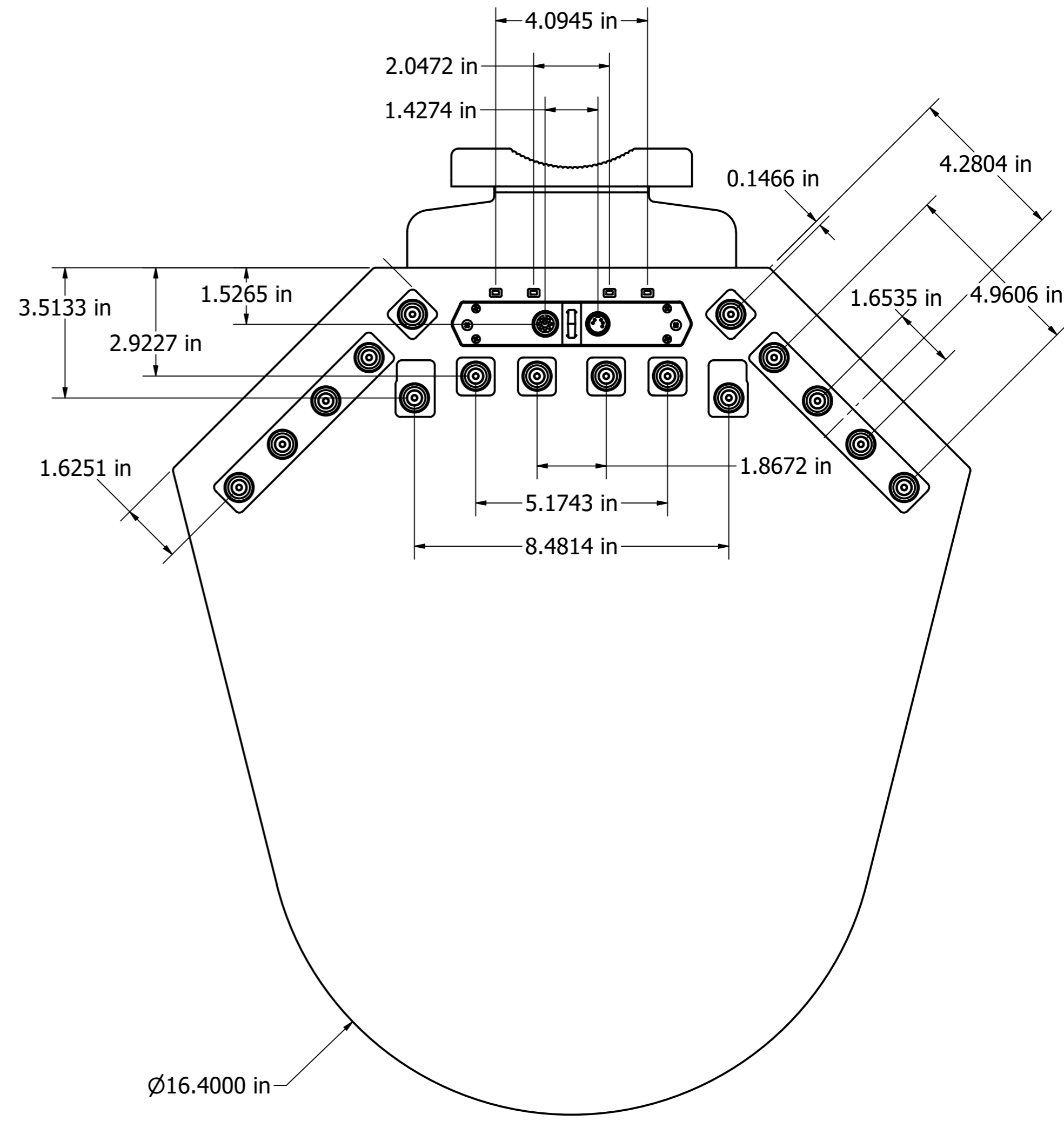
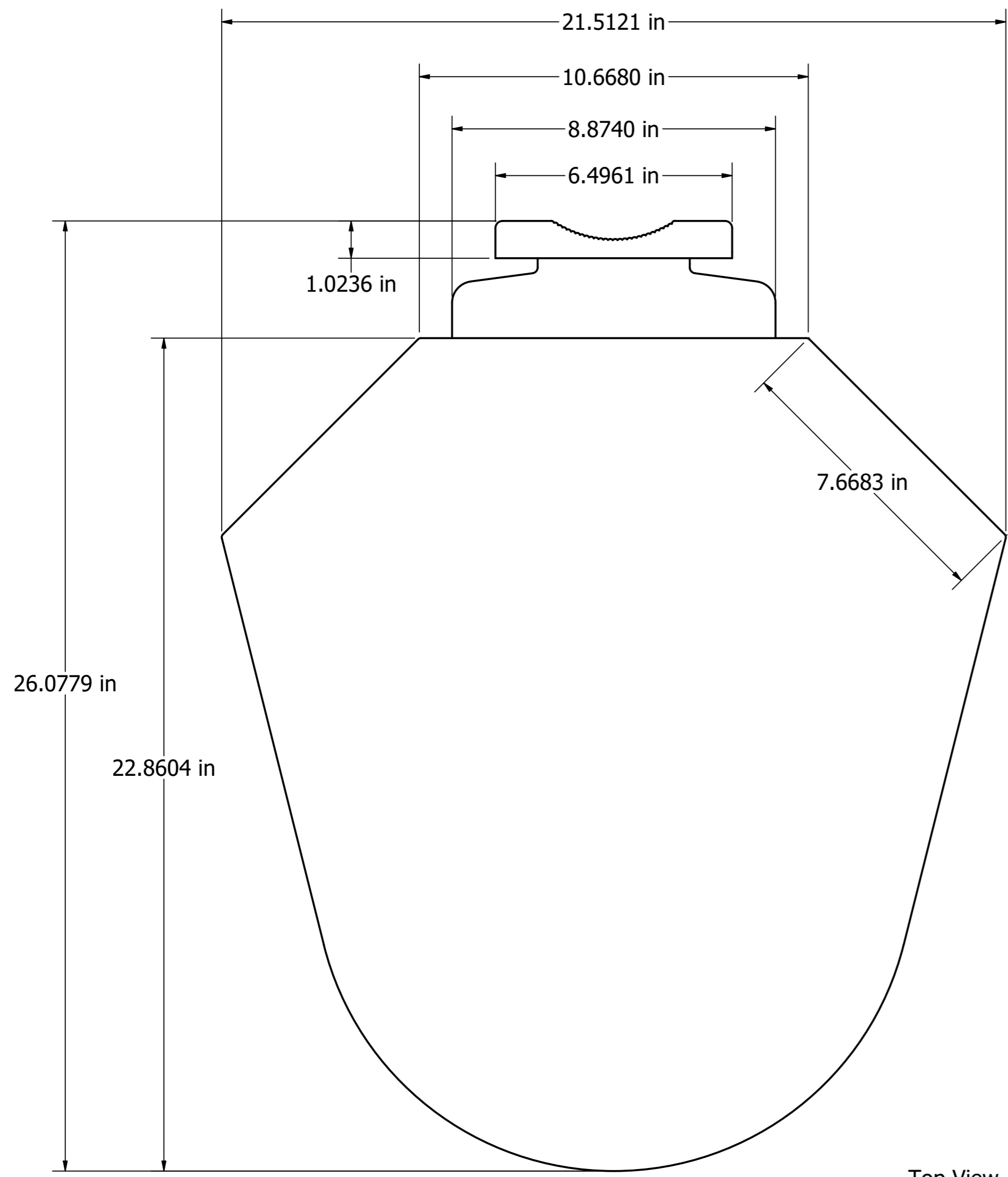
Designed by ALEXANDRE	Drawing by LAWRENCE	Date 19/6/2024	Approved by PAVEL	Date 19/6/2024	Quantity	Material
<b>MATSING</b> LENS TECHNOLOGY ENABLED						MS-MBC-4-H4-12
					MS-MBC-4-H4-12 (in)	Revision 1.0
					Sheet 1 / 3	



Detail A



Designed by ALEXANDRE	Drawing by LAWRENCE	Date 19/6/2024	Approved by PAVEL	Date 19/6/2024	Quantity	Material
<b>MATSING</b> LENS TECHNOLOGY ENABLED						MS-MBC-4-H4-12
					MS-MBC-4-H4-12 (in)	Revision 1.0
					Sheet 2 / 3	



Designed by ALEXANDRE	Drawing by LAWRENCE	Date 19/6/2024	Approved by PAVEL	Date 19/6/2024	Quantity	Material
<b>MATSING</b> LENS TECHNOLOGY ENABLED						MS-MBC-4-H4-12
MS-MBC-4-H4-12 (in)					Revision 1.0	Sheet 3 / 3