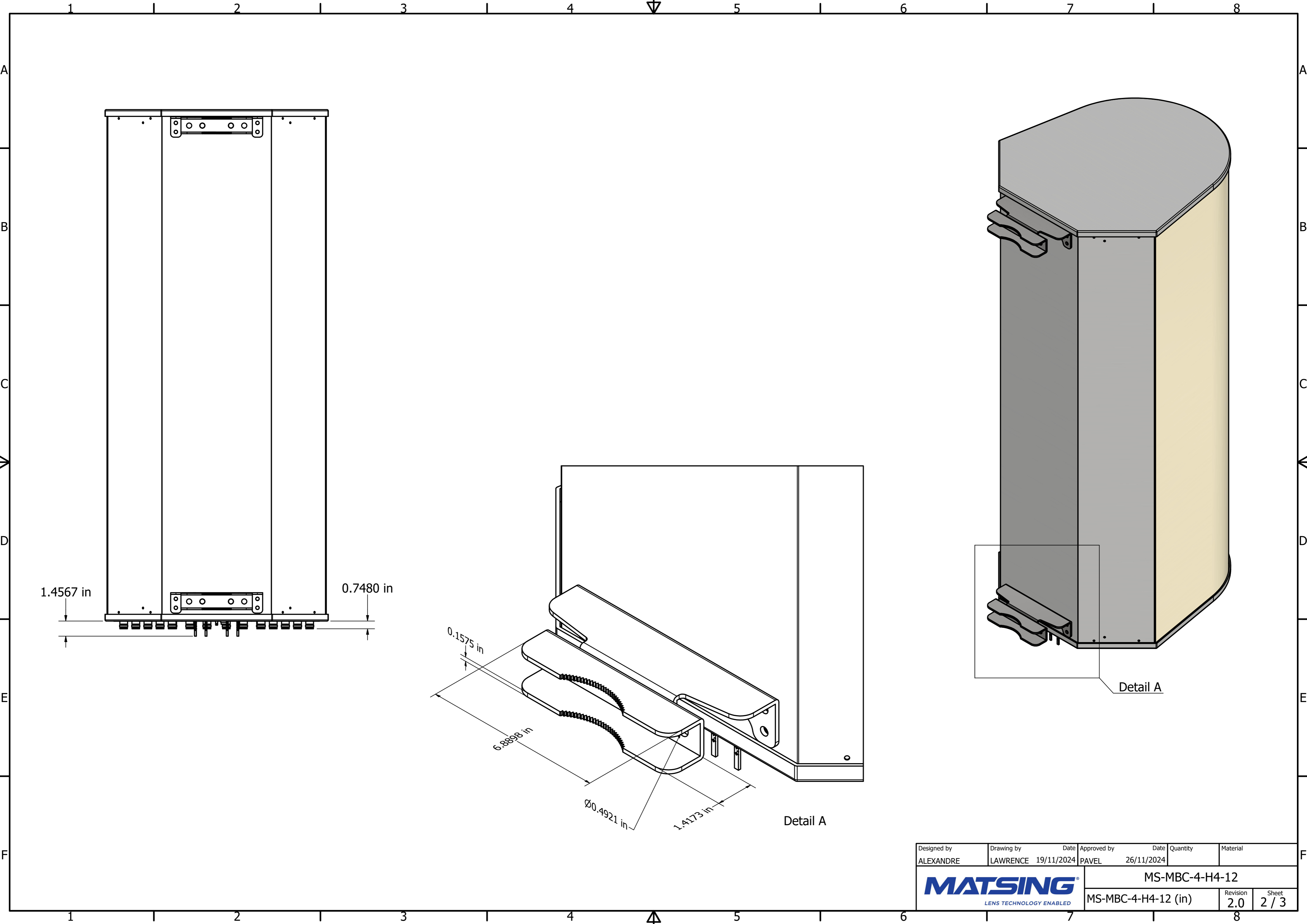
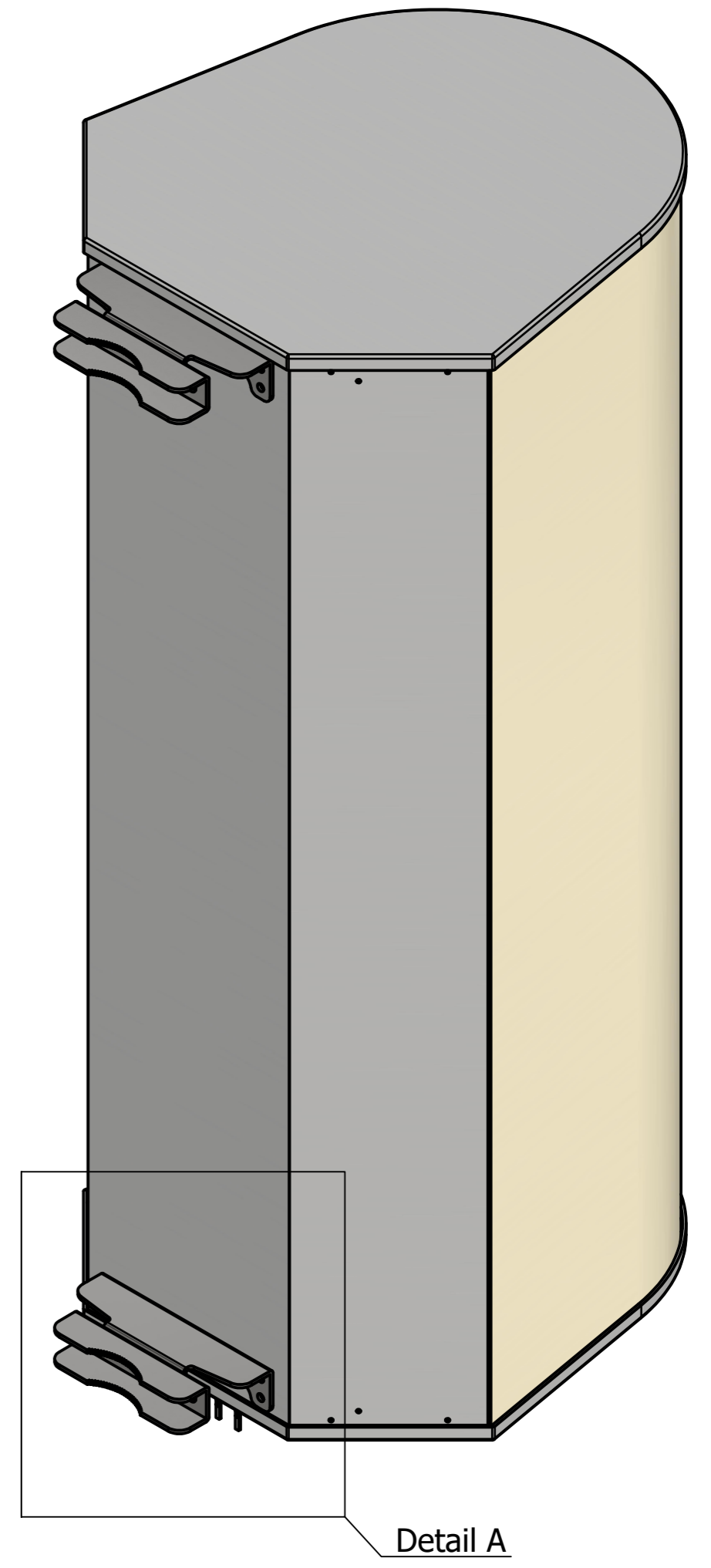


Designed by ALEXANDRE	Drawing by LAWRENCE	Date 19/11/2024	Approved by PAVEL	Date 26/11/2024	Quantity	Material
MATSING LENS TECHNOLOGY ENABLED						MS-MBC-4-H4-12
MS-MBC-4-H4-12 (in)					Revision 2.0	Sheet 1 / 3




1.4567 in 0.7480 in

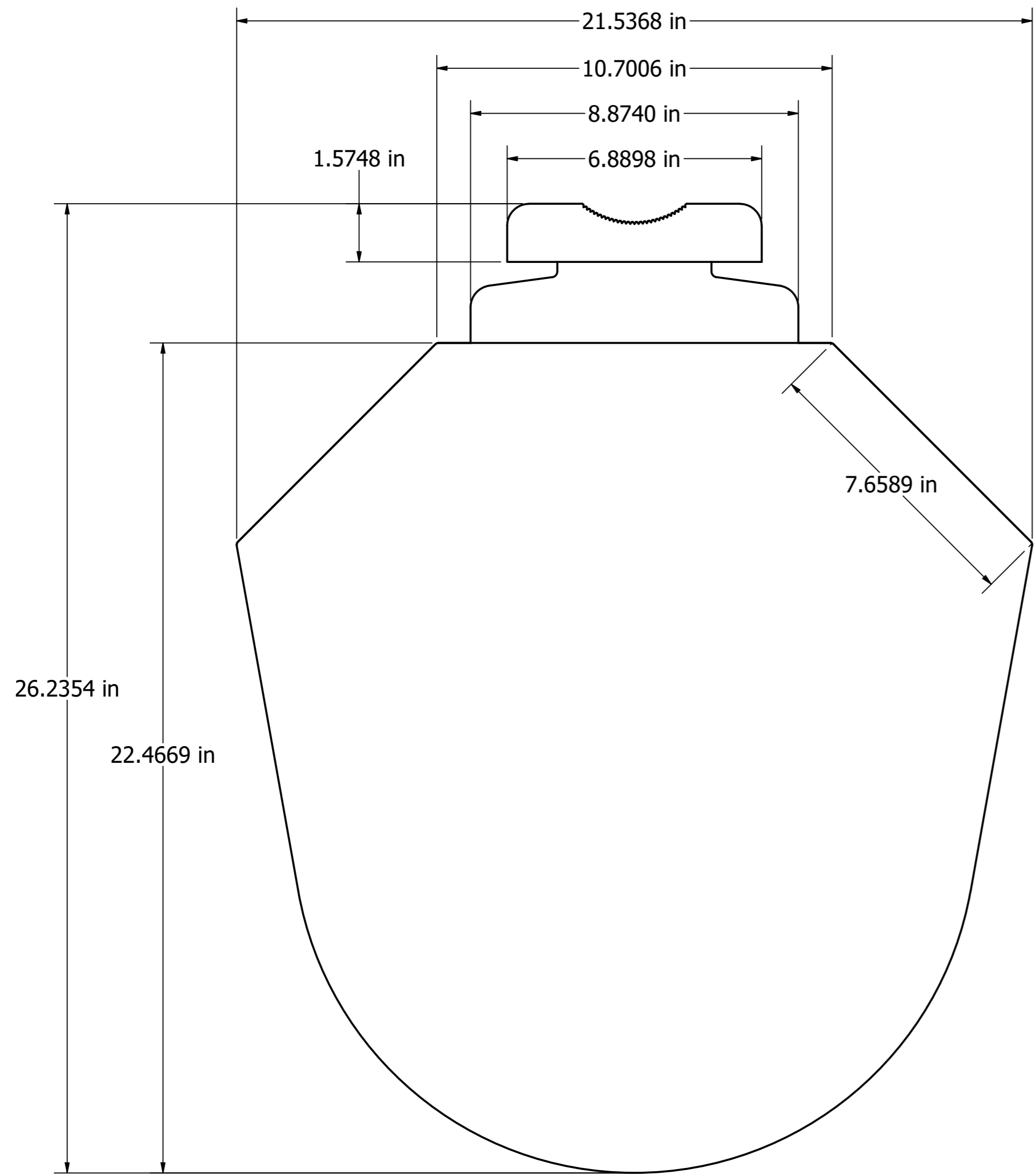
0.1575 in
 6.8898 in
 Ø0.4921 in
 1.4173 in



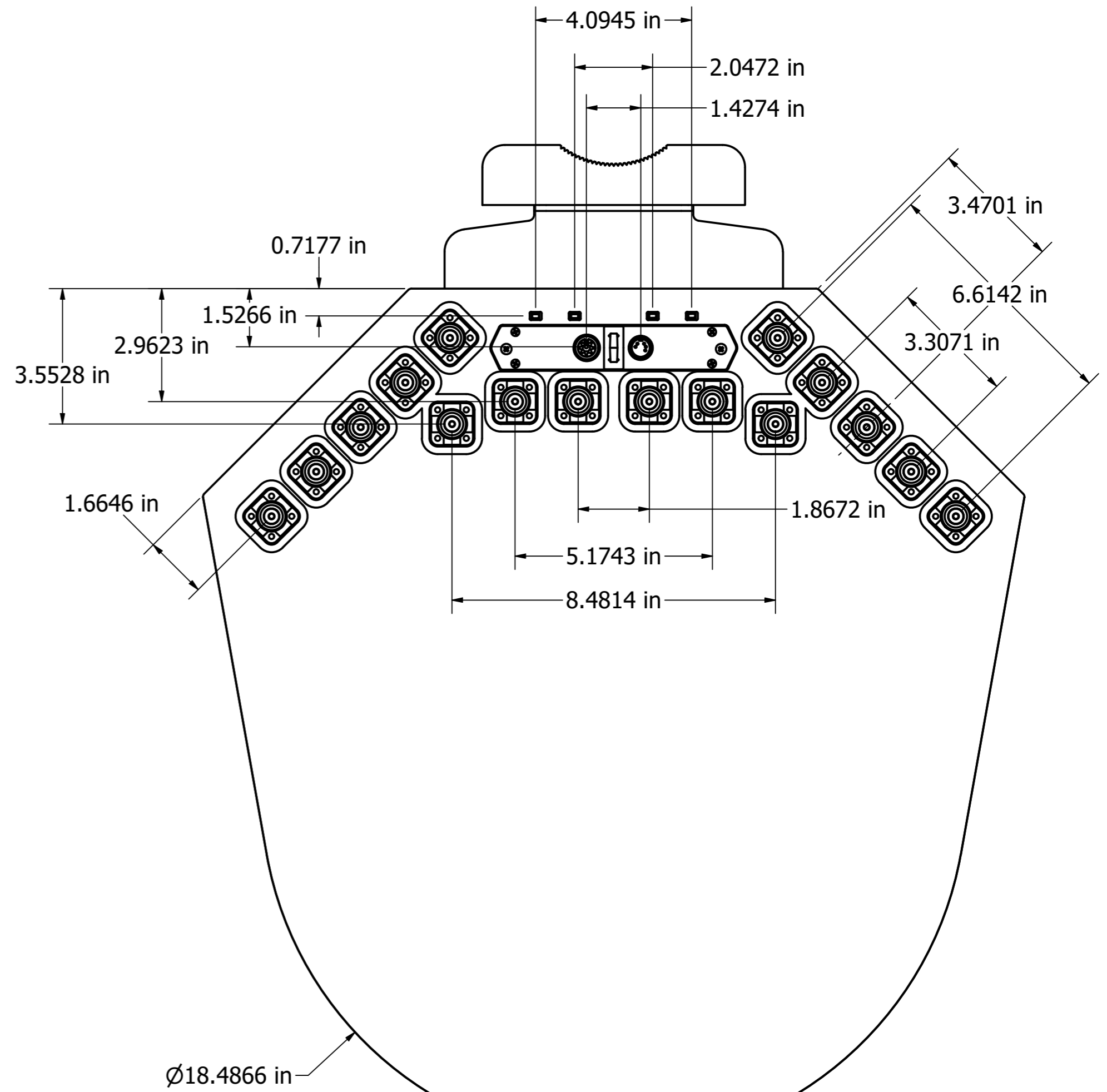
Detail A

Detail A

Designed by ALEXANDRE	Drawing by LAWRENCE	Date 19/11/2024	Approved by PAVEL	Date 26/11/2024	Quantity	Material
						MS-MBC-4-H4-12
						MS-MBC-4-H4-12 (in)



Top View



Bottom View

Designed by ALEXANDRE	Drawing by LAWRENCE	Date 19/11/2024	Approved by PAVEL	Date 26/11/2024	Quantity	Material
MATSING LENS TECHNOLOGY ENABLED						MS-MBC-4-H4-12
MS-MBC-4-H4-12 (in)					Revision 2.0	Sheet 3 / 3