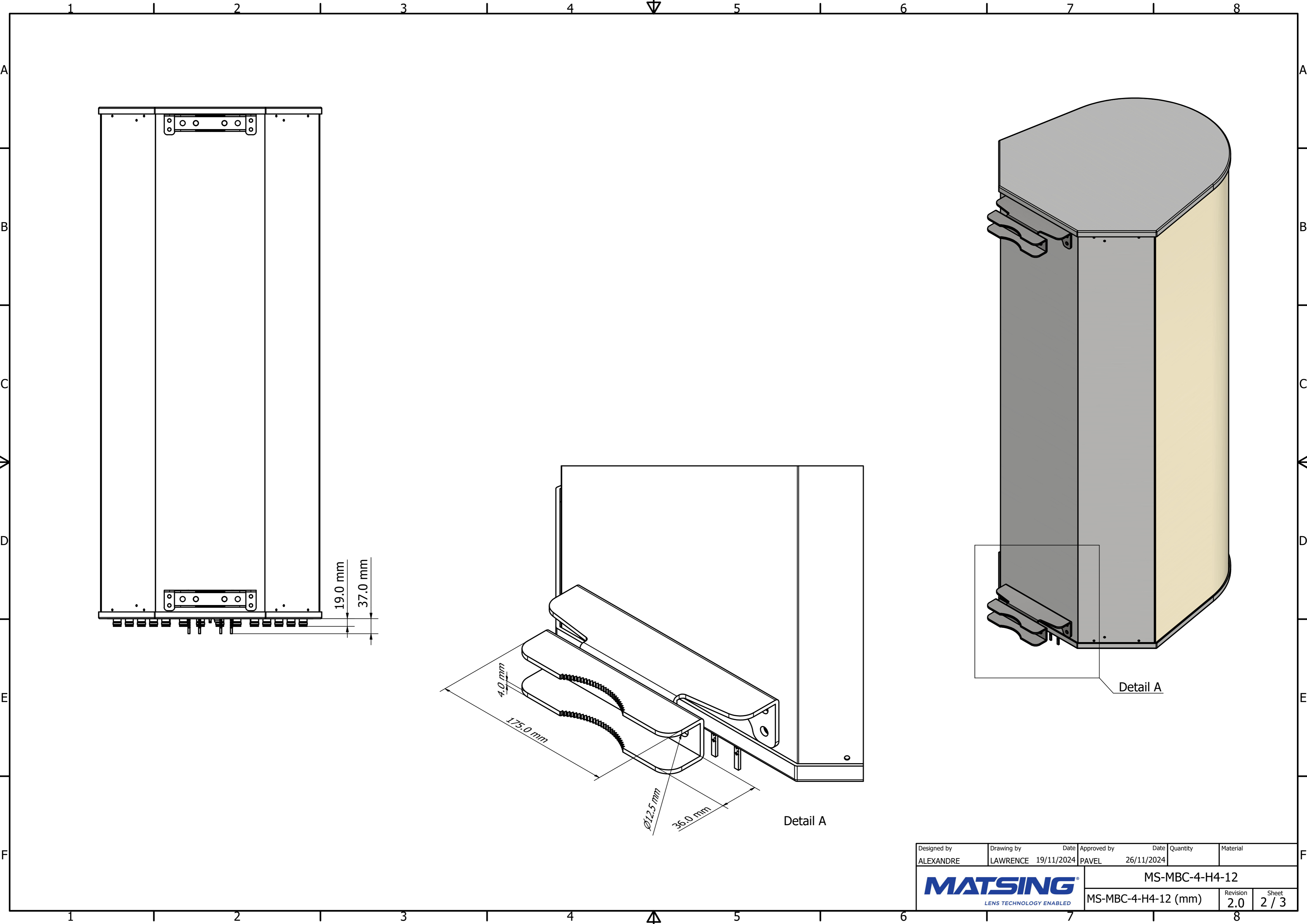


Designed by	Drawing by	Date	Approved by	Date	Quantity	Material	
ALEXANDRE	LAWRENCE	19/11/2024	PAVEL	26/11/2024			
MATSING LENS TECHNOLOGY ENABLED							
MS-MBC-4-H4-12						Revision	Sheet
MS-MBC-4-H4-12 (mm)						2.0	1 / 3




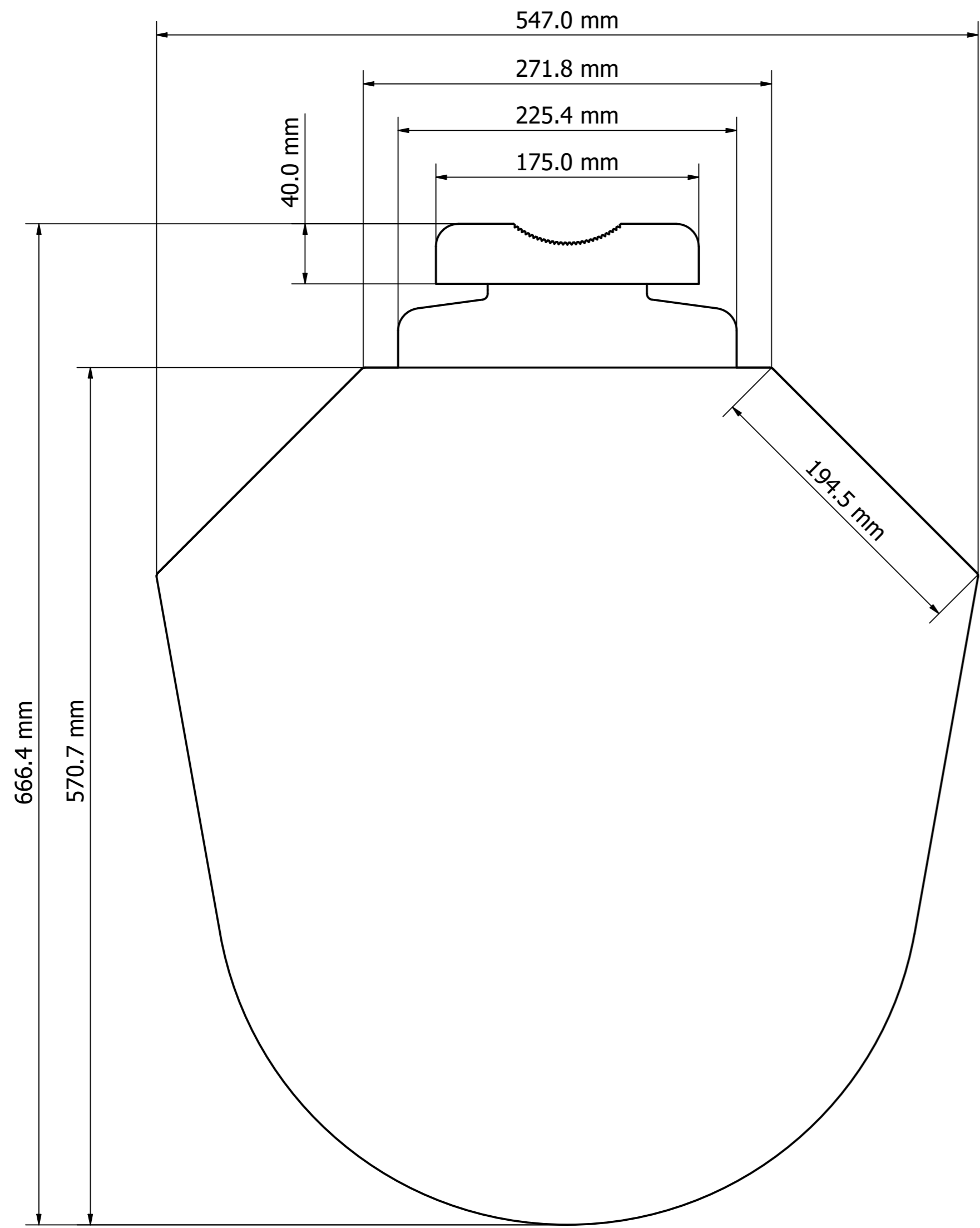
19.0 mm
37.0 mm

4.0 mm
175.0 mm
Ø12.5 mm
36.0 mm

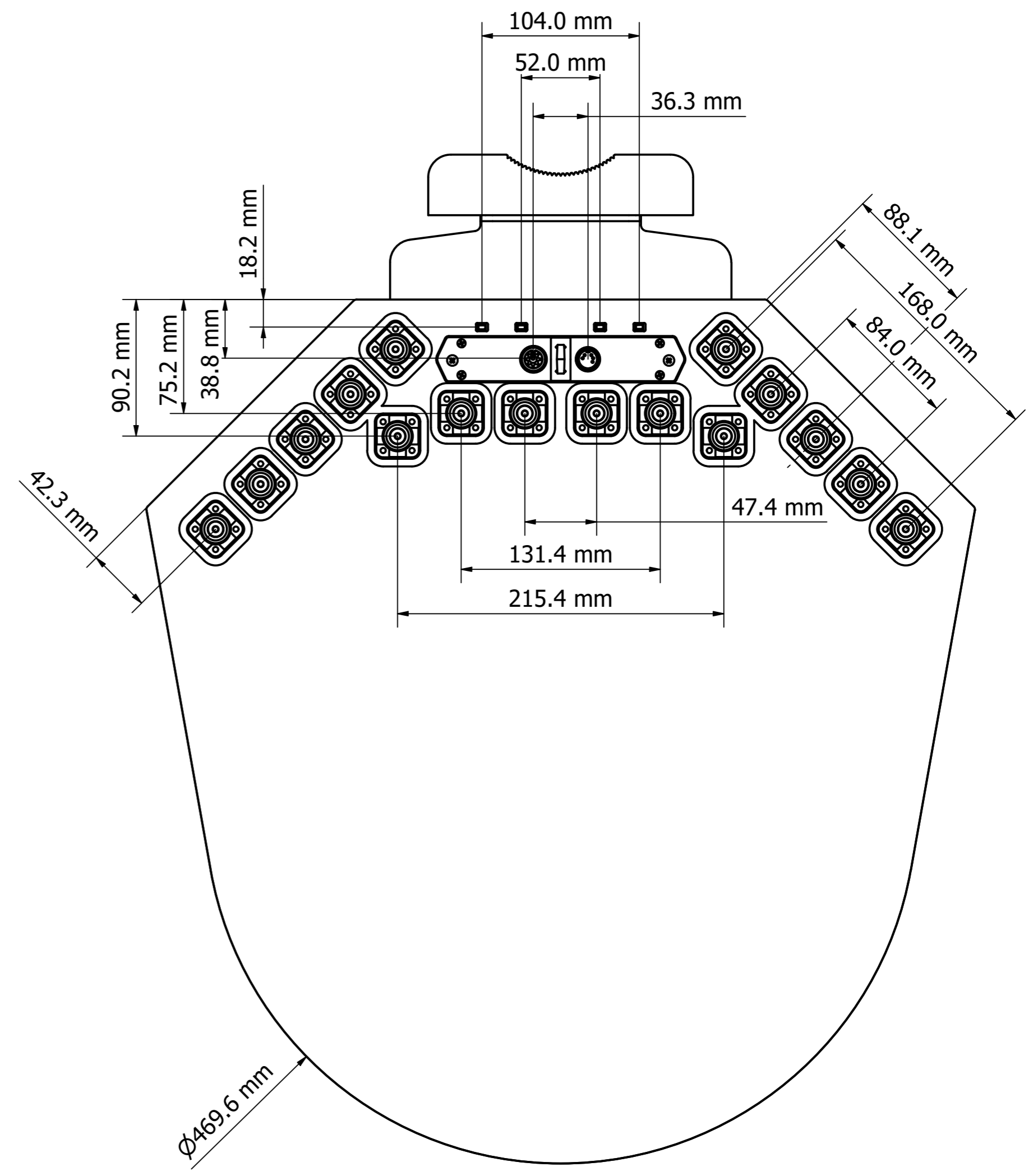
Detail A

Detail A

Designed by ALEXANDRE	Drawing by LAWRENCE	Date 19/11/2024	Approved by PAVEL	Date 26/11/2024	Quantity	Material
						MS-MBC-4-H4-12
						MS-MBC-4-H4-12 (mm)



Top View



Bottom View

Designed by ALEXANDRE	Drawing by LAWRENCE	Date 19/11/2024	Approved by PAVEL	Date 26/11/2024	Quantity	Material
MATSING LENS TECHNOLOGY ENABLED						MS-MBC-4-H4-12
MS-MBC-4-H4-12 (mm)					Revision 2.0	Sheet 3 / 3