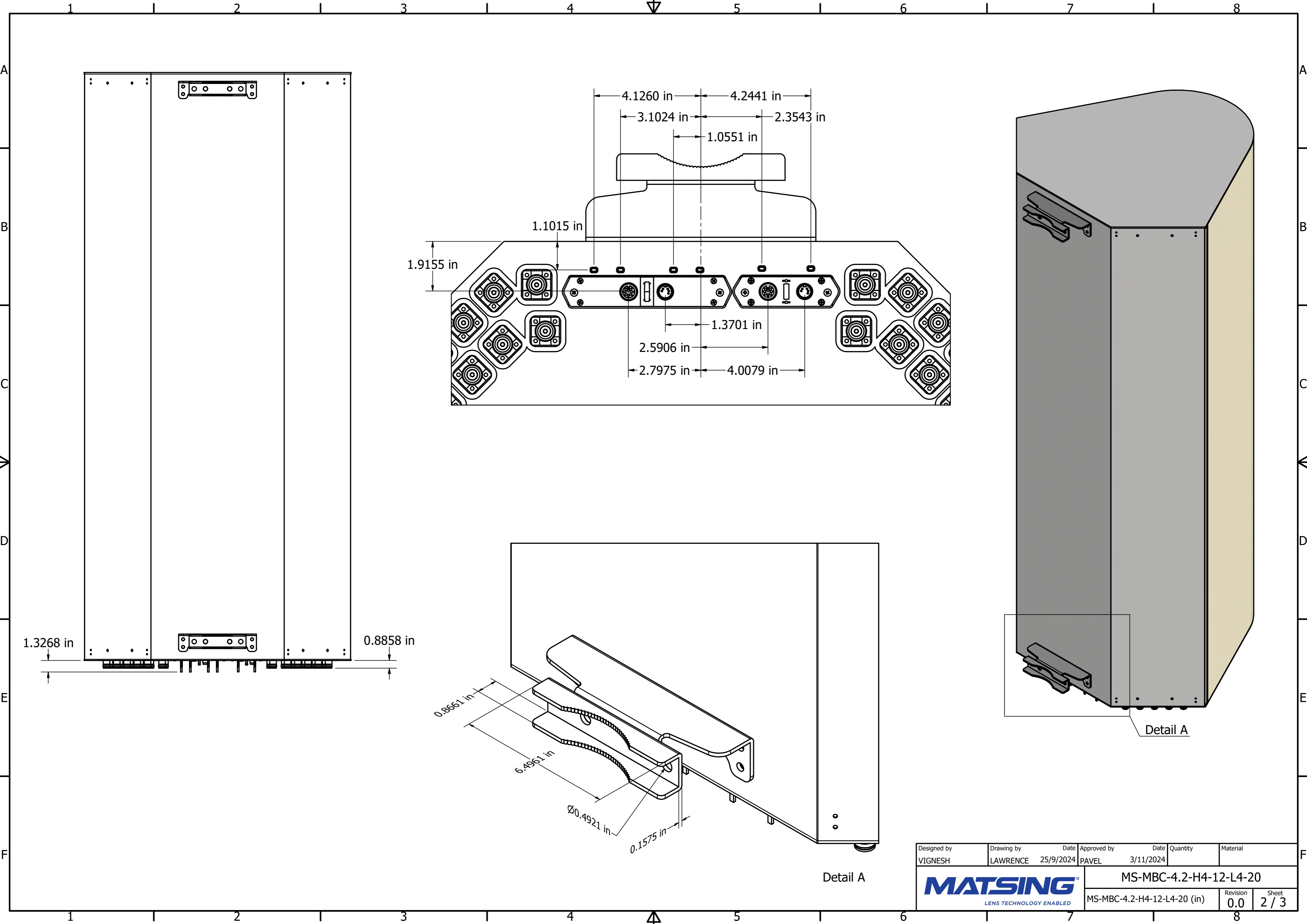
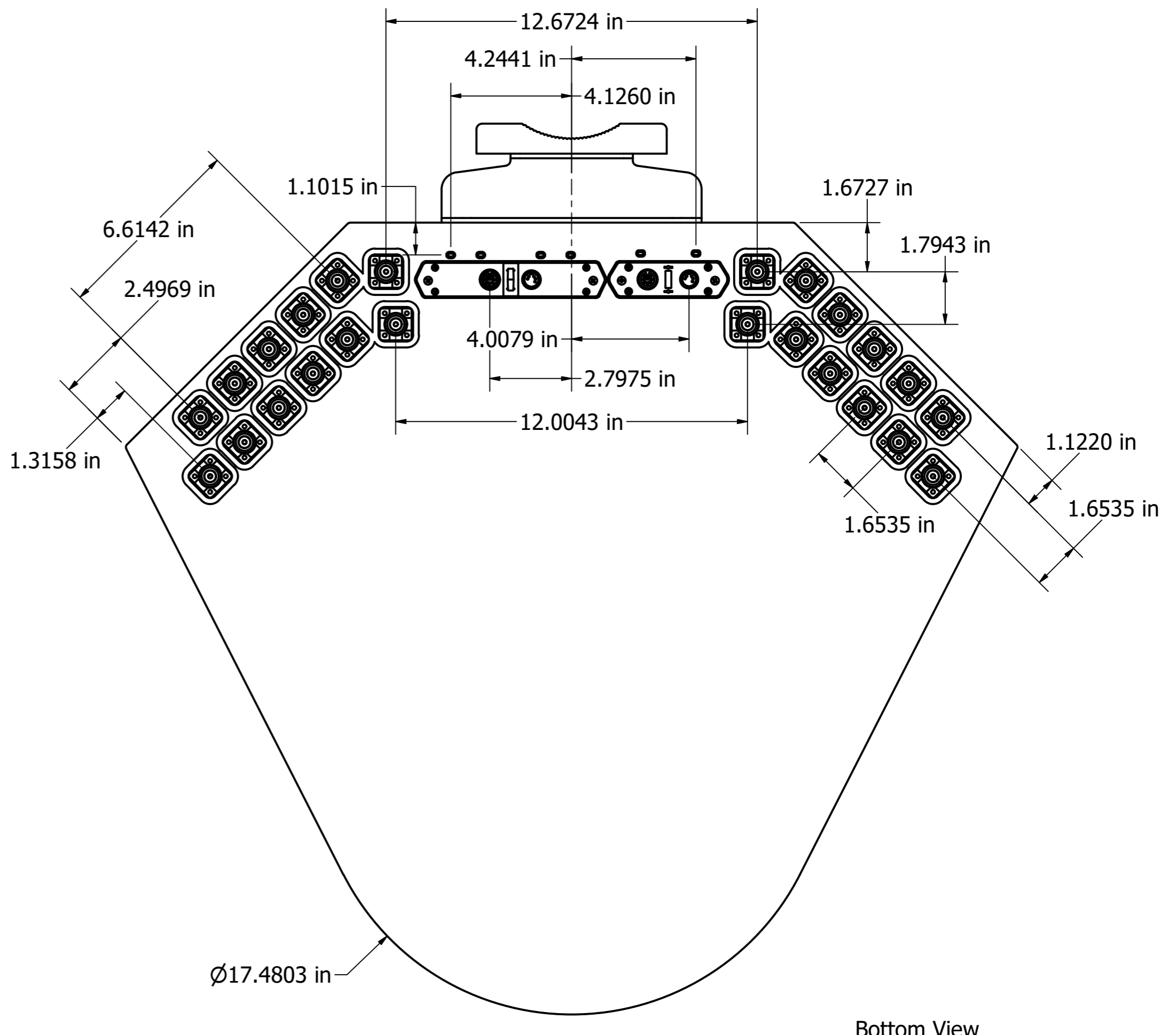
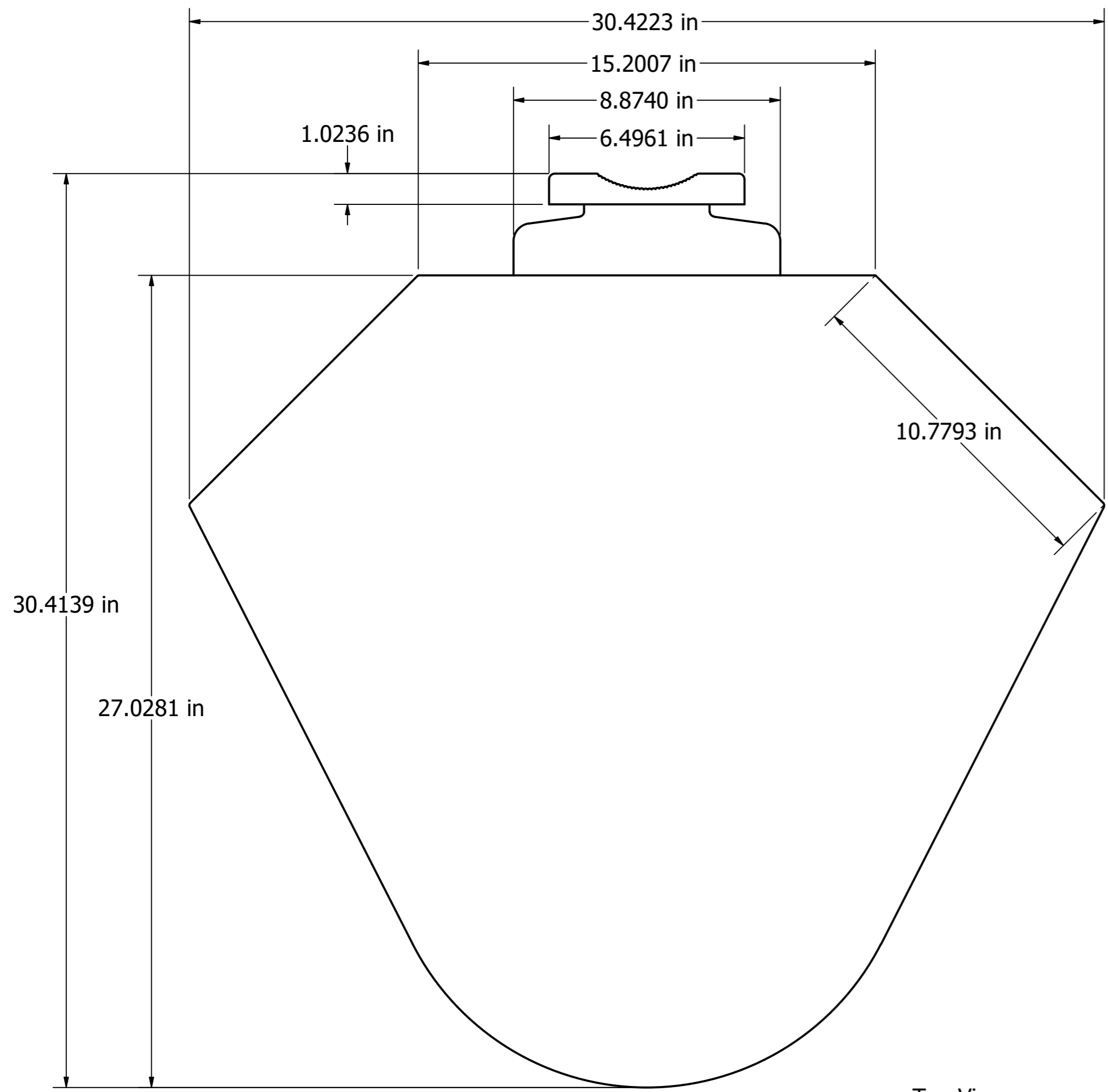


Designed by VIGNESH	Drawing by LAWRENCE	Date 25/9/2024	Approved by PAVEL	Date 3/11/2024	Quantity	Material
MATSING LENS TECHNOLOGY ENABLED						MS-MBC-4.2-H4-12-L4-20
MS-MBC-4.2-H4-12-L4-20 (in)					Revision 0.0	Sheet 1 / 3



Designed by VIGNESH	Drawing by LAWRENCE	Date 25/9/2024	Approved by PAVEL	Date 3/11/2024	Quantity	Material	
MATSING LENS TECHNOLOGY ENABLED						MS-MBC-4.2-H4-12-L4-20	
MS-MBC-4.2-H4-12-L4-20 (in)						Revision 0.0	Sheet 2 / 3



Designed by VIGNESH	Drawing by LAWRENCE	Date 25/9/2024	Approved by PAVEL	Date 3/11/2024	Quantity	Material
MATSING LENS TECHNOLOGY ENABLED						MS-MBC-4.2-H4-12-L4-20
MS-MBC-4.2-H4-12-L4-20 (in)					Revision 0.0	Sheet 3 / 3