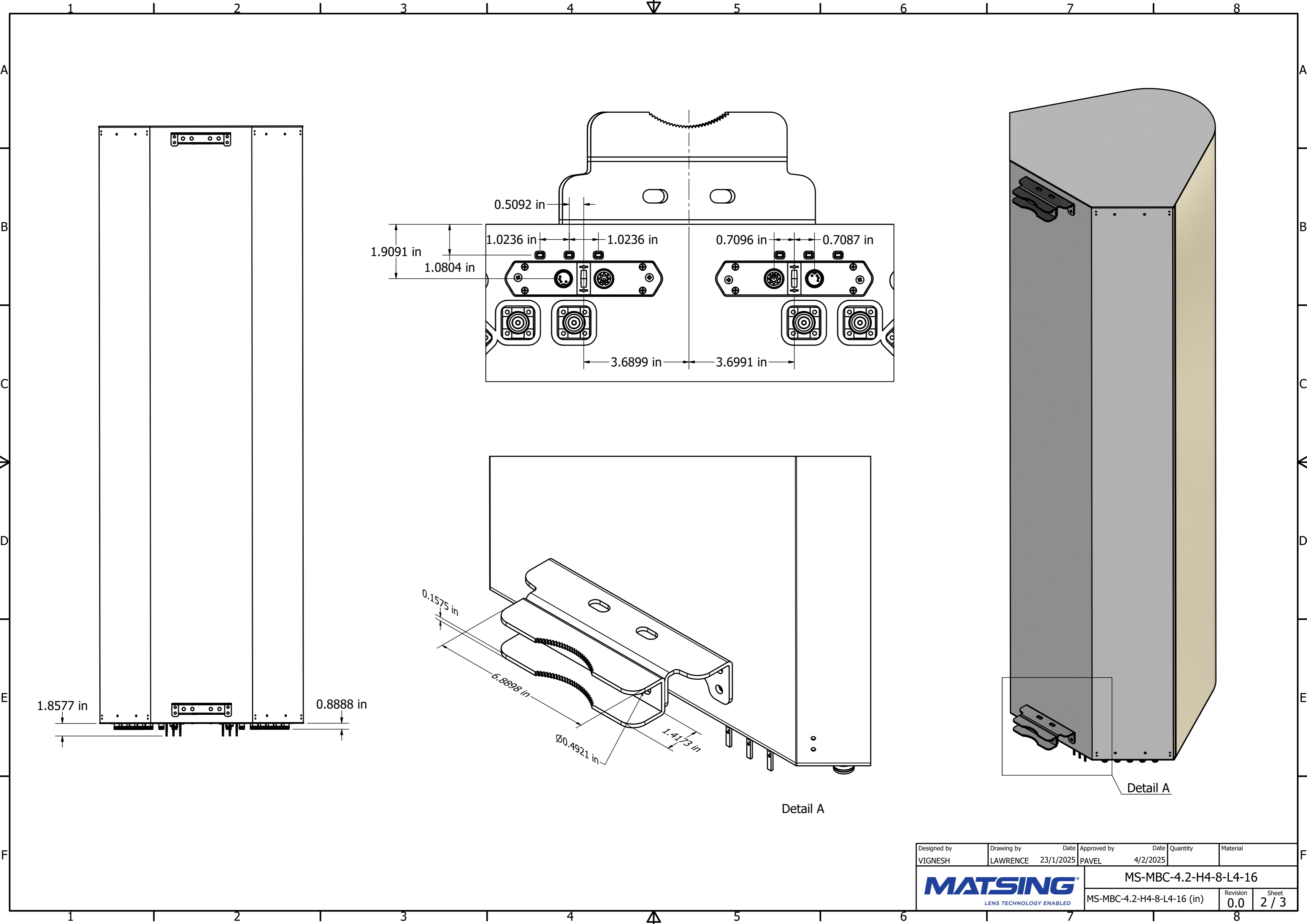
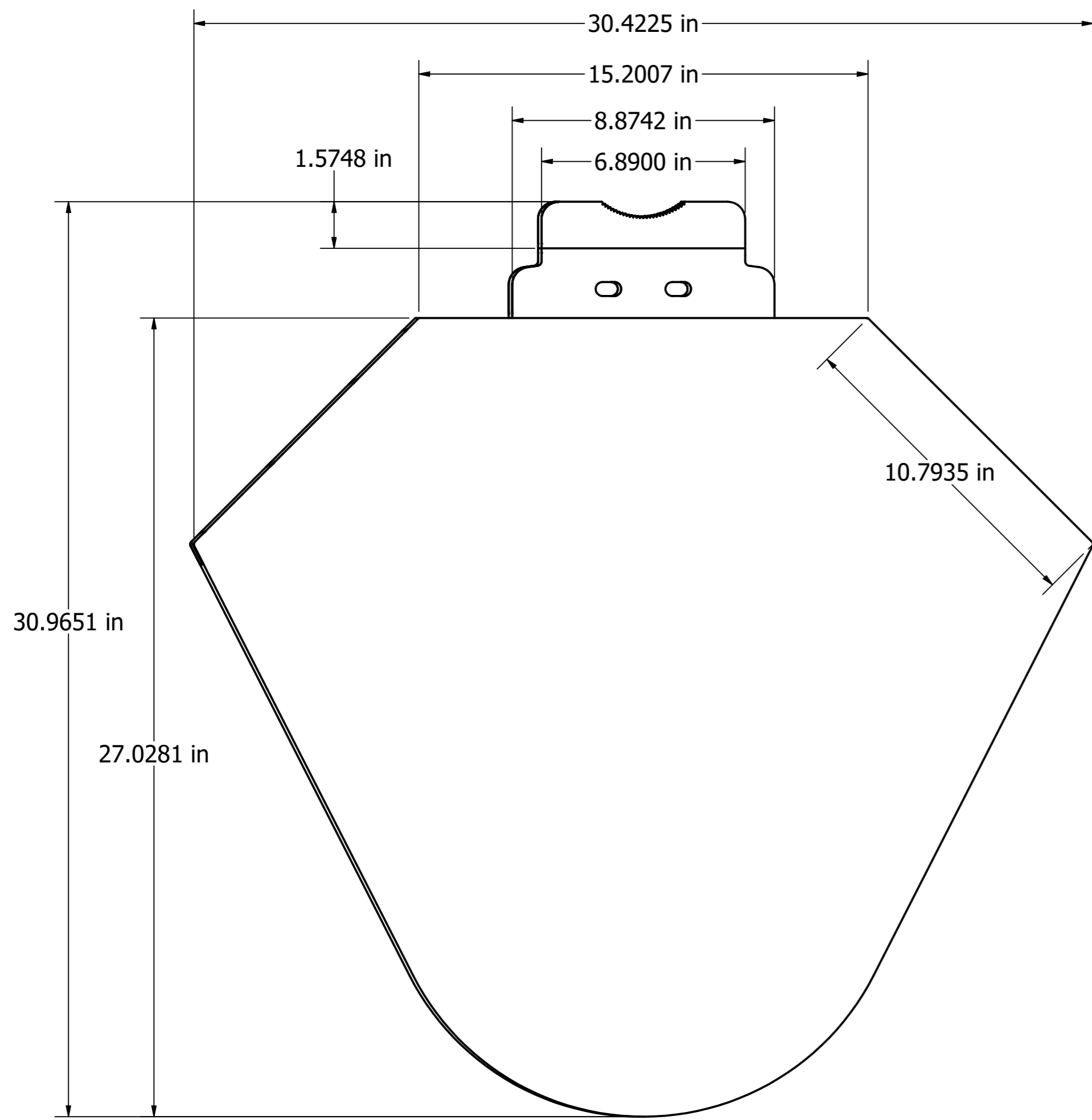


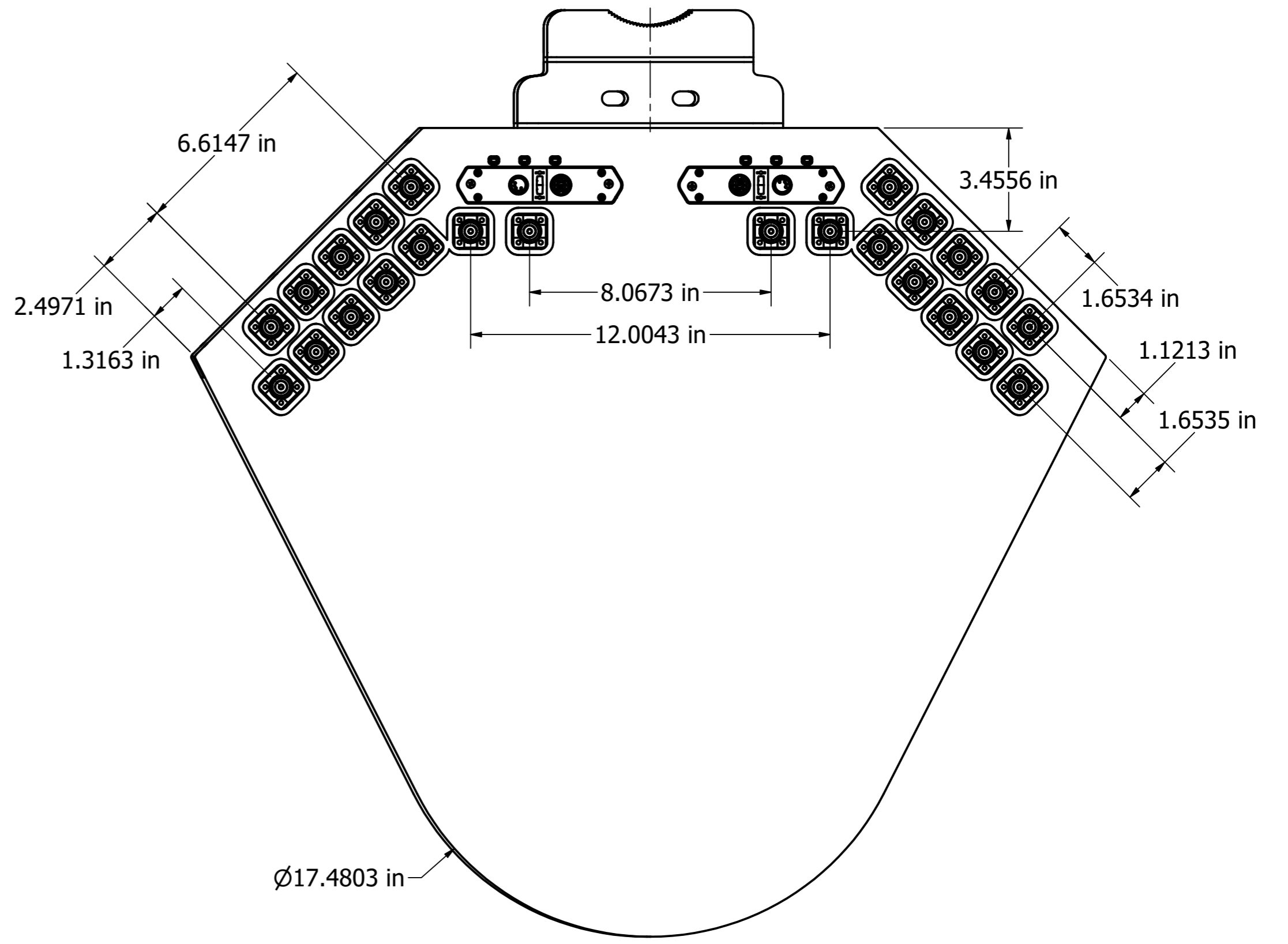
| | | | | | | |
|---|------------------------|-------------------|----------------------|------------------|----------------------------|-----------------------|
| Designed by VIGNESH | Drawing by LAWRENCE | Date 23/1/2025 | Approved by PAVEL | Date 4/2/2025 | Quantity | Material |
| MATSING LENS TECHNOLOGY ENABLED | | | | | | MS-MBC-4.2-H4-8-L4-16 |
| | | | | | MS-MBC-4.2-H4-8-L4-16 (in) | Revision 0.0 |
| | | | | | Sheet 1 / 3 | |



| | | | | | | |
|---|------------------------|-------------------|----------------------|------------------|-----------------|-----------------------|
| Designed by VIGNESH | Drawing by LAWRENCE | Date 23/1/2025 | Approved by PAVEL | Date 4/2/2025 | Quantity | Material |
| MATSING LENS TECHNOLOGY ENABLED | | | | | | MS-MBC-4.2-H4-8-L4-16 |
| MS-MBC-4.2-H4-8-L4-16 (in) | | | | | Revision 0.0 | Sheet 2 / 3 |



Top View



Bottom View

| | | | | | | |
|---|------------------------|-------------------|----------------------|------------------|-----------------|-----------------------|
| Designed by VIGNESH | Drawing by LAWRENCE | Date 23/1/2025 | Approved by PAVEL | Date 4/2/2025 | Quantity | Material |
| MATSING LENS TECHNOLOGY ENABLED | | | | | | MS-MBC-4.2-H4-8-L4-16 |
| MS-MBC-4.2-H4-8-L4-16 (in) | | | | | Revision 0.0 | Sheet 3 / 3 |