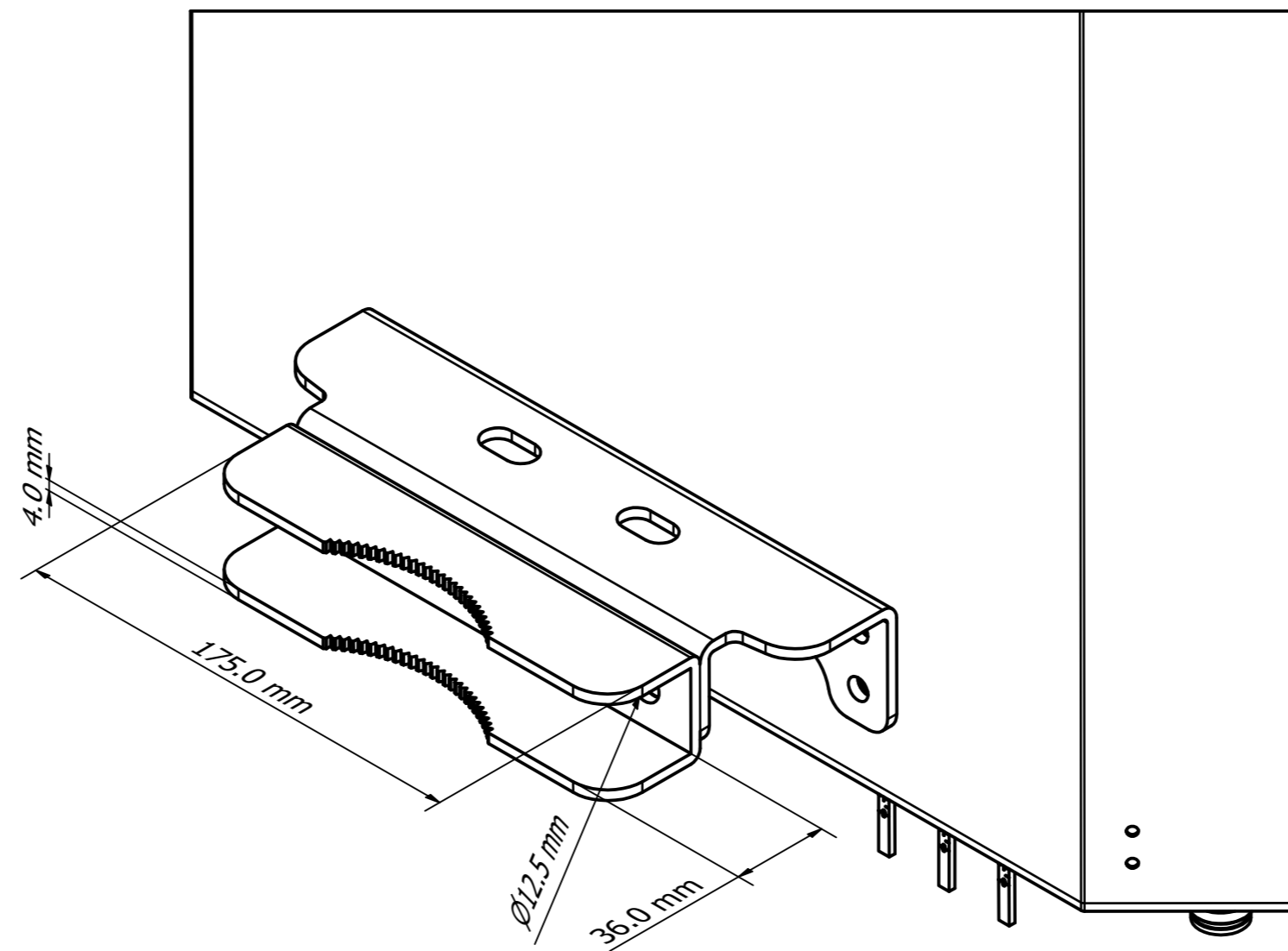
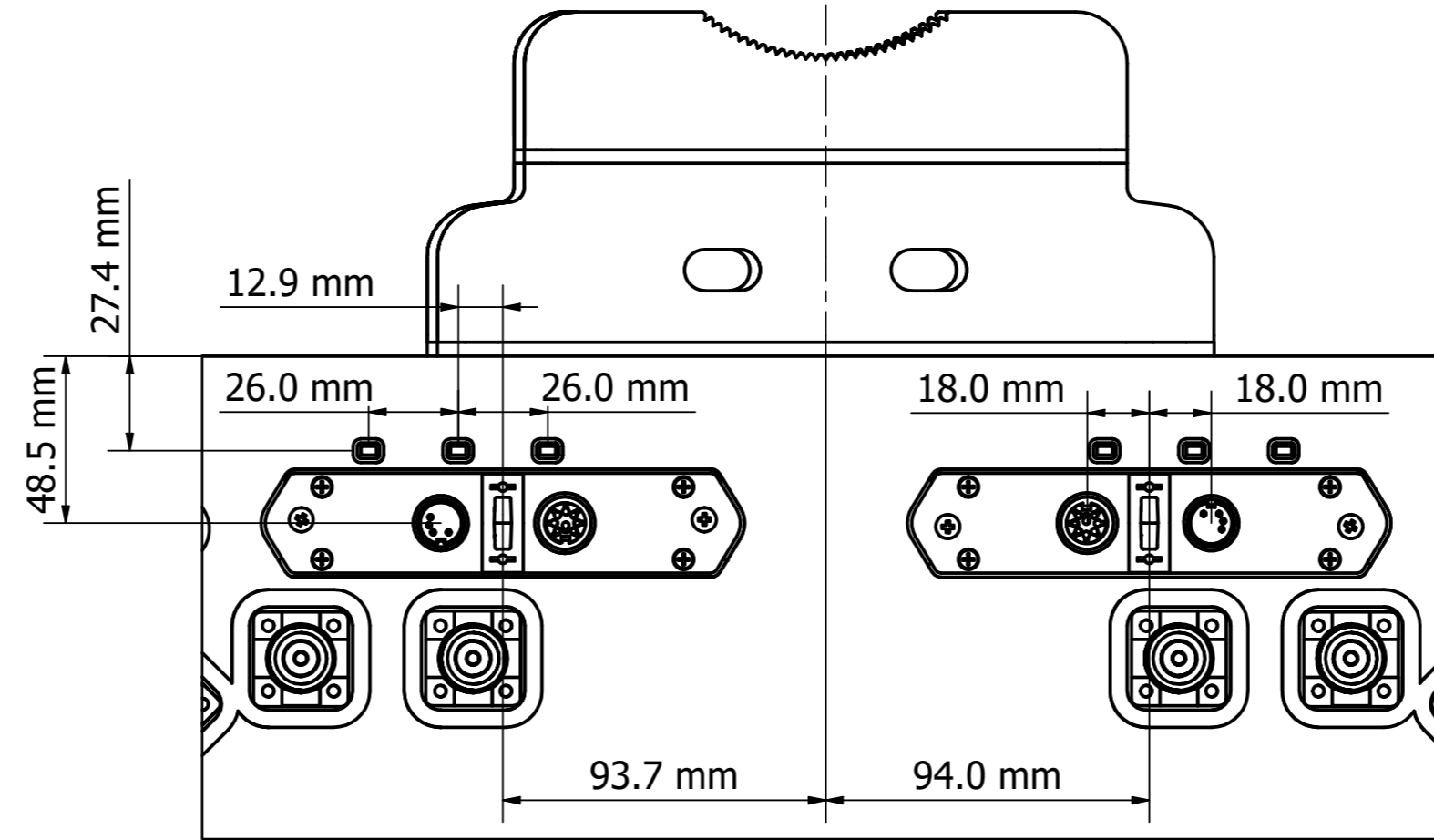
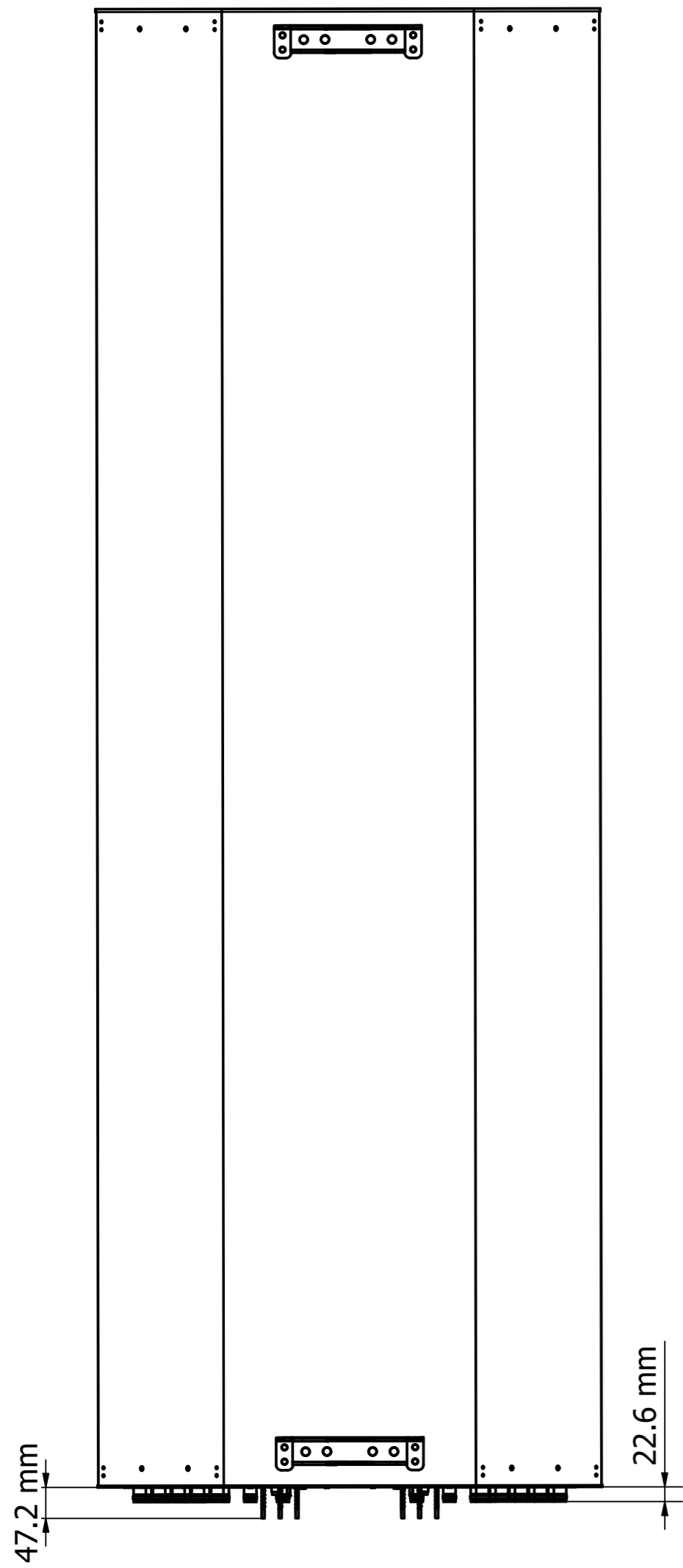
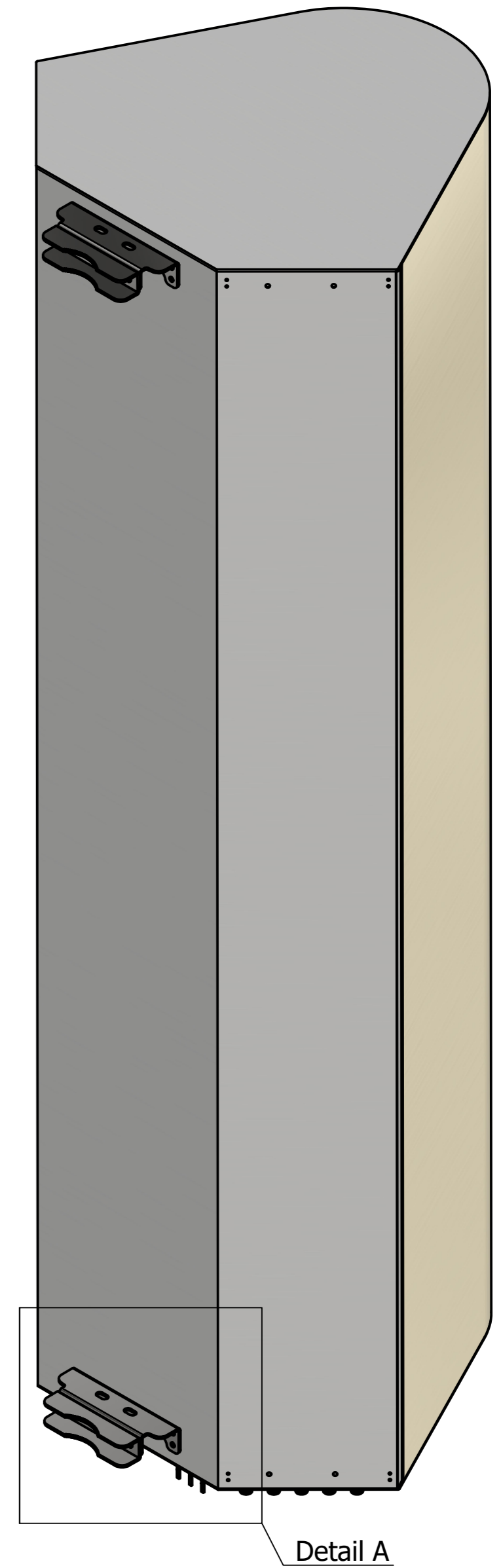


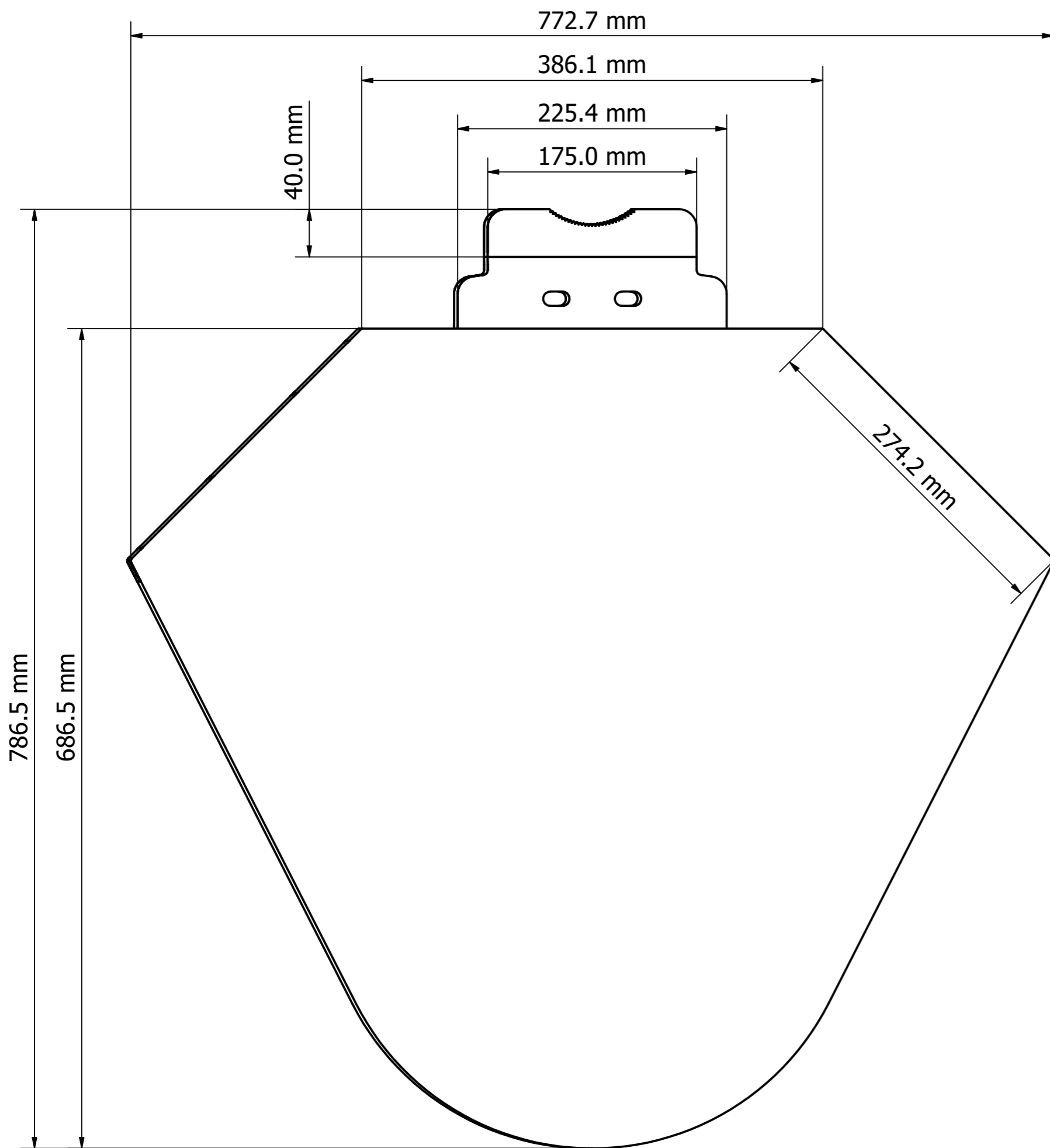
Designed by	Drawing by	Date	Approved by	Date	Quantity	Material	
VIGNESH	LAWRENCE	23/1/2025	PAVEL	4/2/2025			
<b>MATSING</b> LENS TECHNOLOGY ENABLED							
MS-MBC-4.2-H4-8-L4-16						Revision	Sheet
MS-MBC-4.2-H4-8-L4-16 (mm)						0.0	1 / 3



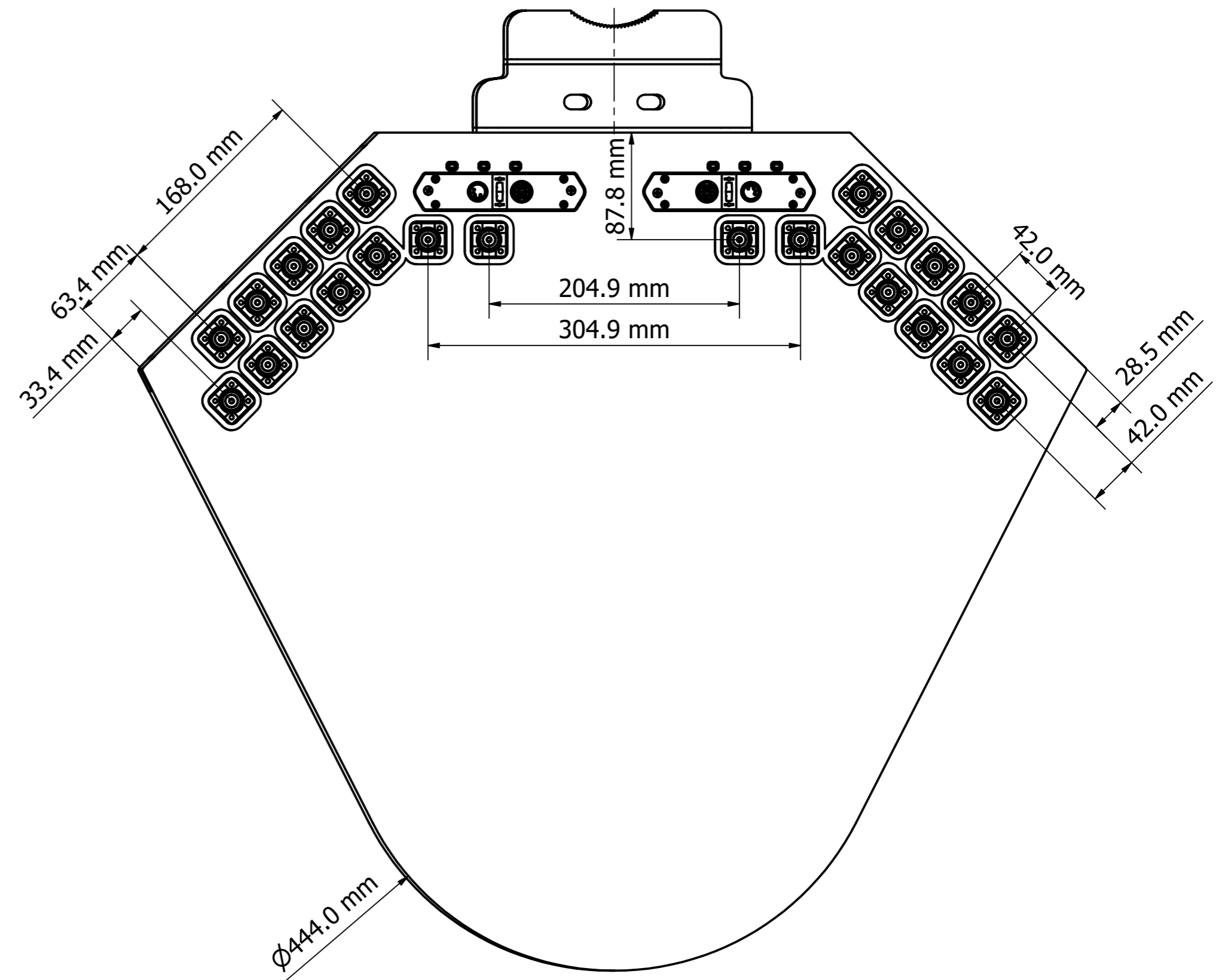
Detail A



Designed by VIGNESH	Drawing by LAWRENCE	Date 23/1/2025	Approved by PAVEL	Date 4/2/2025	Quantity	Material	
<b>MATSING</b> LENS TECHNOLOGY ENABLED						MS-MBC-4.2-H4-8-L4-16	
MS-MBC-4.2-H4-8-L4-16 (mm)						Revision 0.0	Sheet 2 / 3



Top View



Bottom View

Designed by VIGNESH	Drawing by LAWRENCE	Date 23/1/2025	Approved by PAVEL	Date 4/2/2025	Quantity	Material
<b>MATSING</b> LENS TECHNOLOGY ENABLED						MS-MBC-4.2-H4-8-L4-16
MS-MBC-4.2-H4-8-L4-16 (mm)					Revision 0.0	Sheet 3 / 3