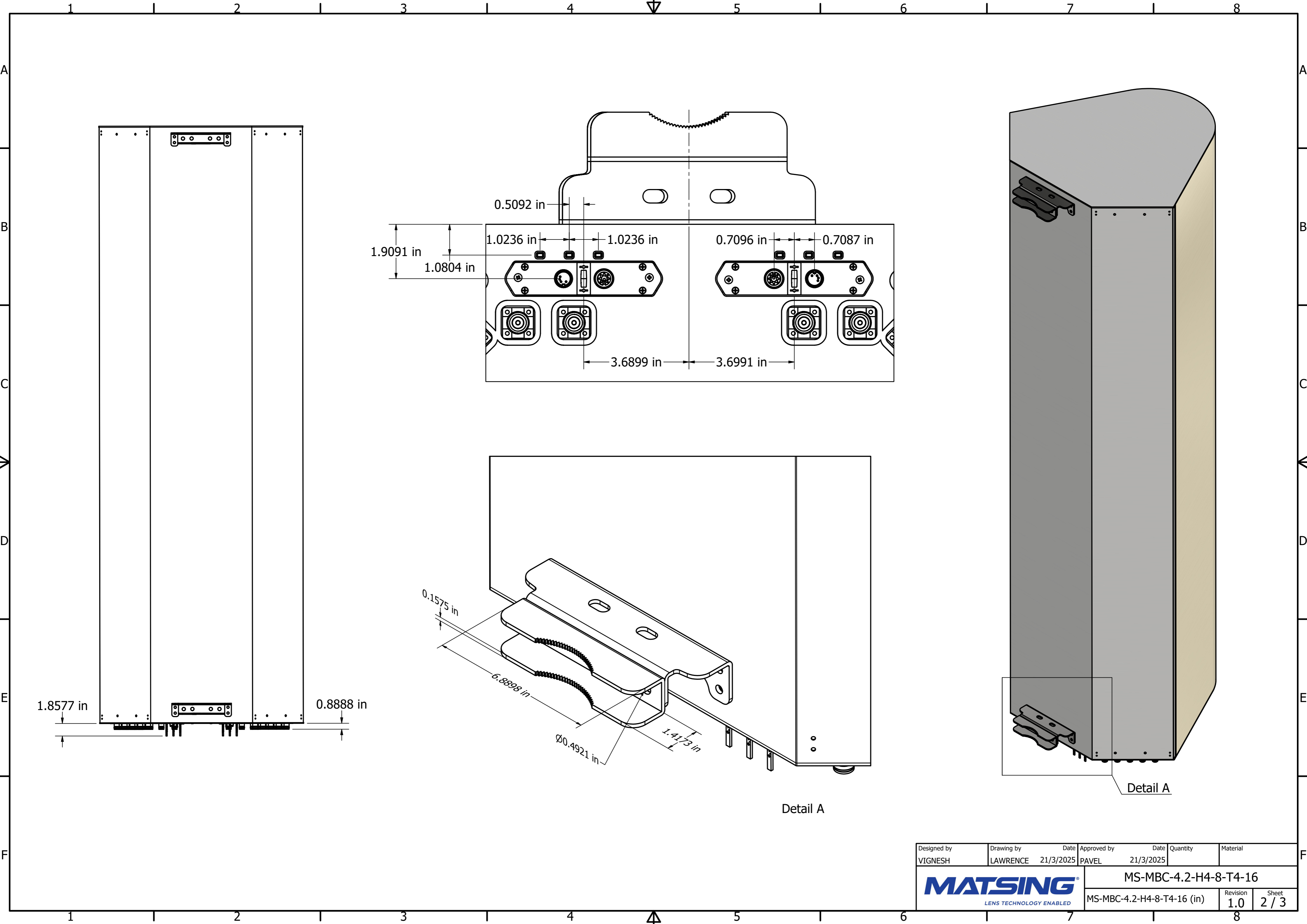
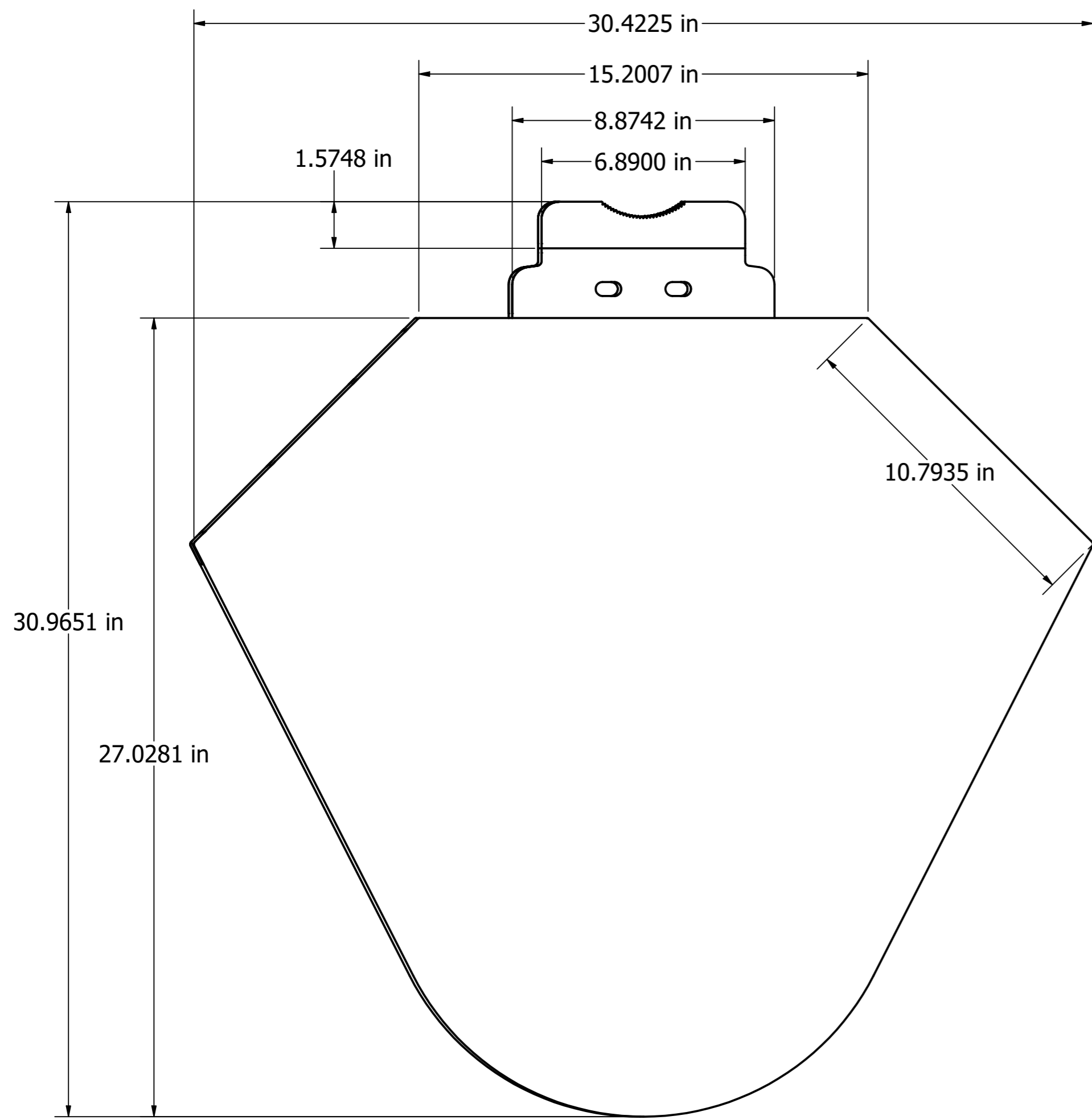


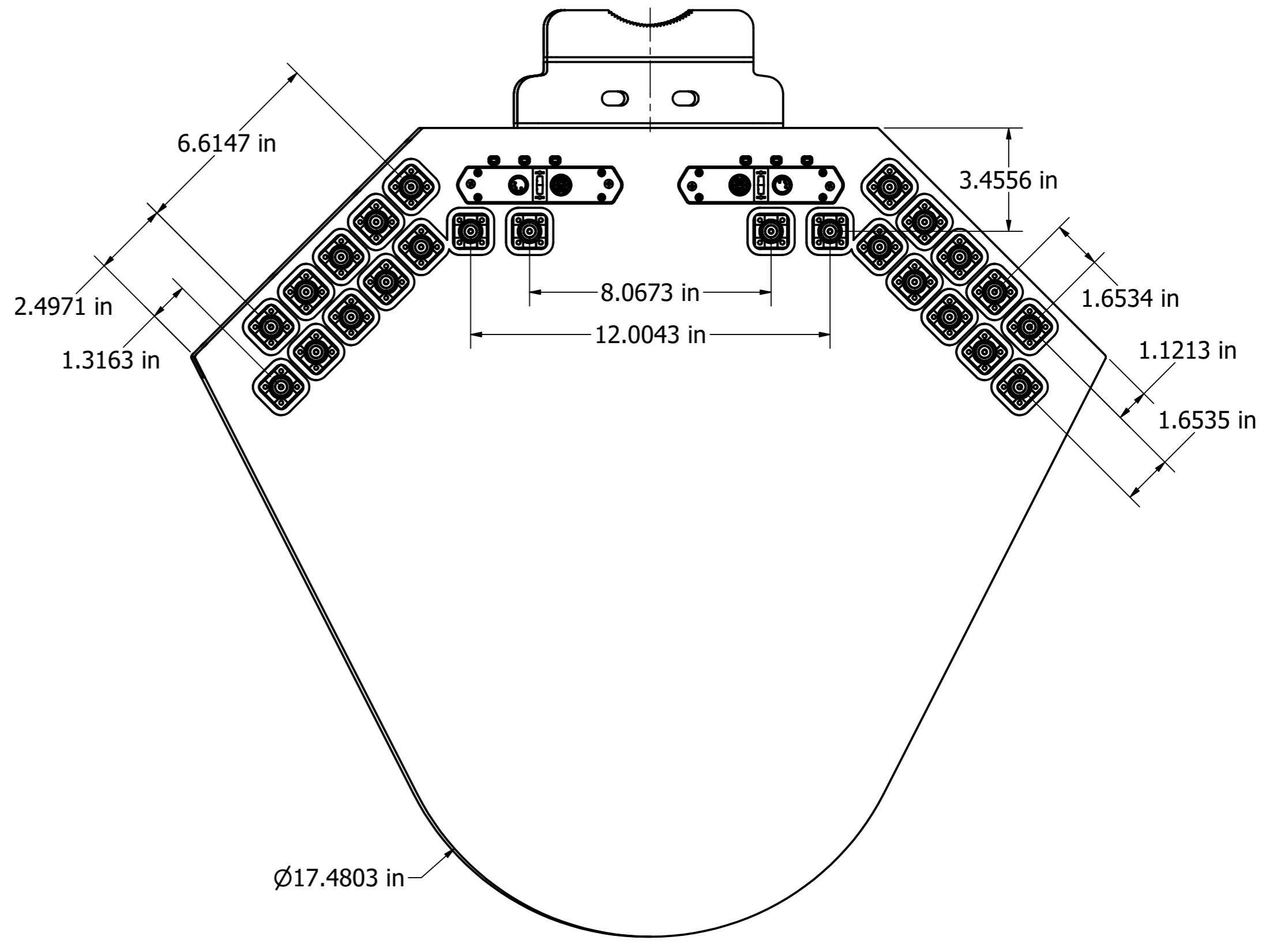
Designed by	Drawing by	Date	Approved by	Date	Quantity	Material
VIGNESH	LAWRENCE	21/3/2025	PAVEL	21/3/2025		
MATSING						MS-MBC-4.2-H4-8-T4-16
LENS TECHNOLOGY ENABLED						MS-MBC-4.2-H4-8-T4-16 (in)
					Revision	Sheet
					1.0	1 / 3



Designed by VIGNESH	Drawing by LAWRENCE	Date 21/3/2025	Approved by PAVEL	Date 21/3/2025	Quantity	Material
MATSING LENS TECHNOLOGY ENABLED						MS-MBC-4.2-H4-8-T4-16
MS-MBC-4.2-H4-8-T4-16 (in)					Revision 1.0	Sheet 2 / 3



Top View



Bottom View

Designed by VIGNESH	Drawing by LAWRENCE	Date 21/3/2025	Approved by PAVEL	Date 21/3/2025	Quantity	Material
MATSING LENS TECHNOLOGY ENABLED						MS-MBC-4.2-H4-8-T4-16
MS-MBC-4.2-H4-8-T4-16 (in)					Revision 1.0	Sheet 3 / 3