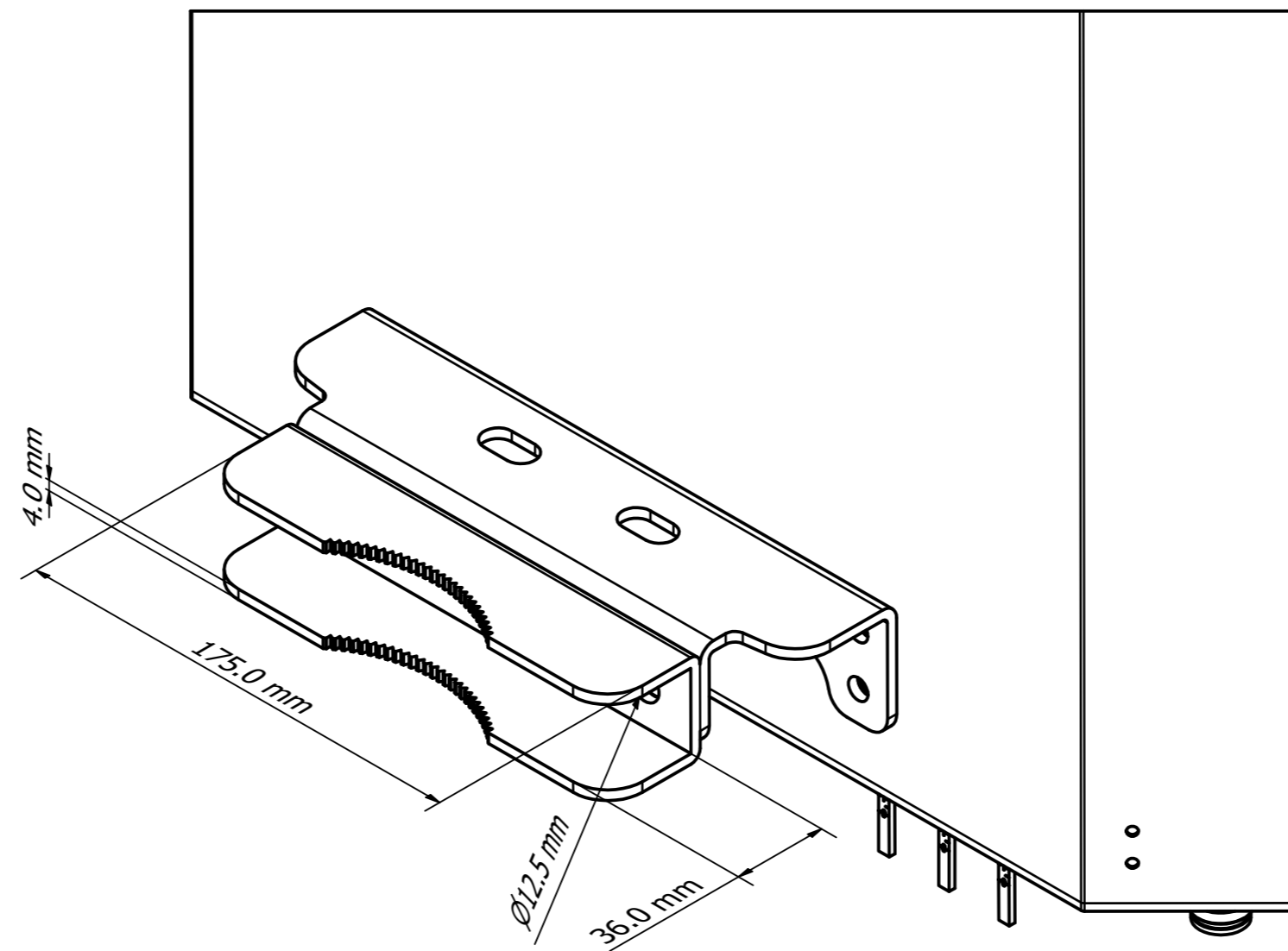
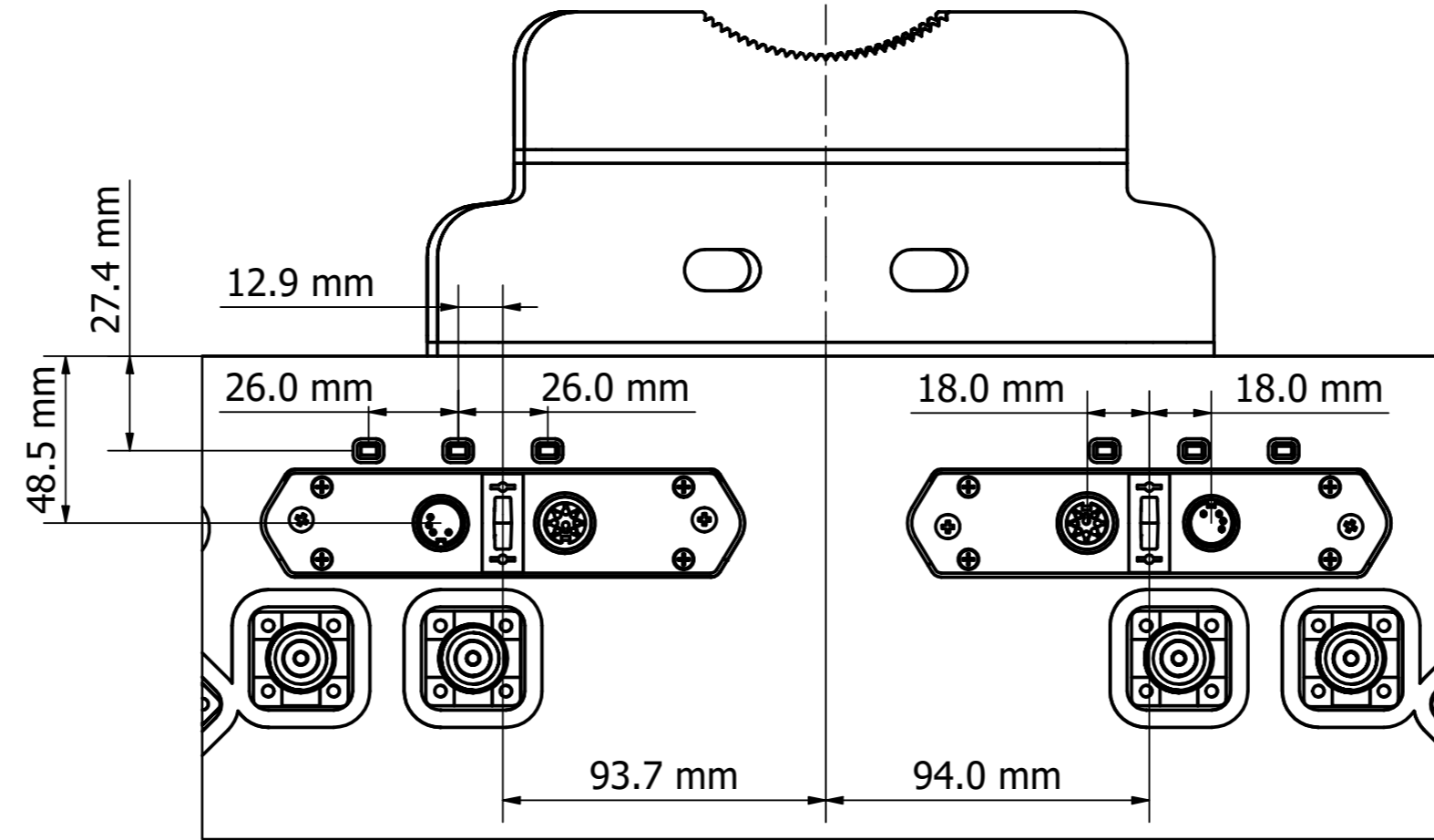
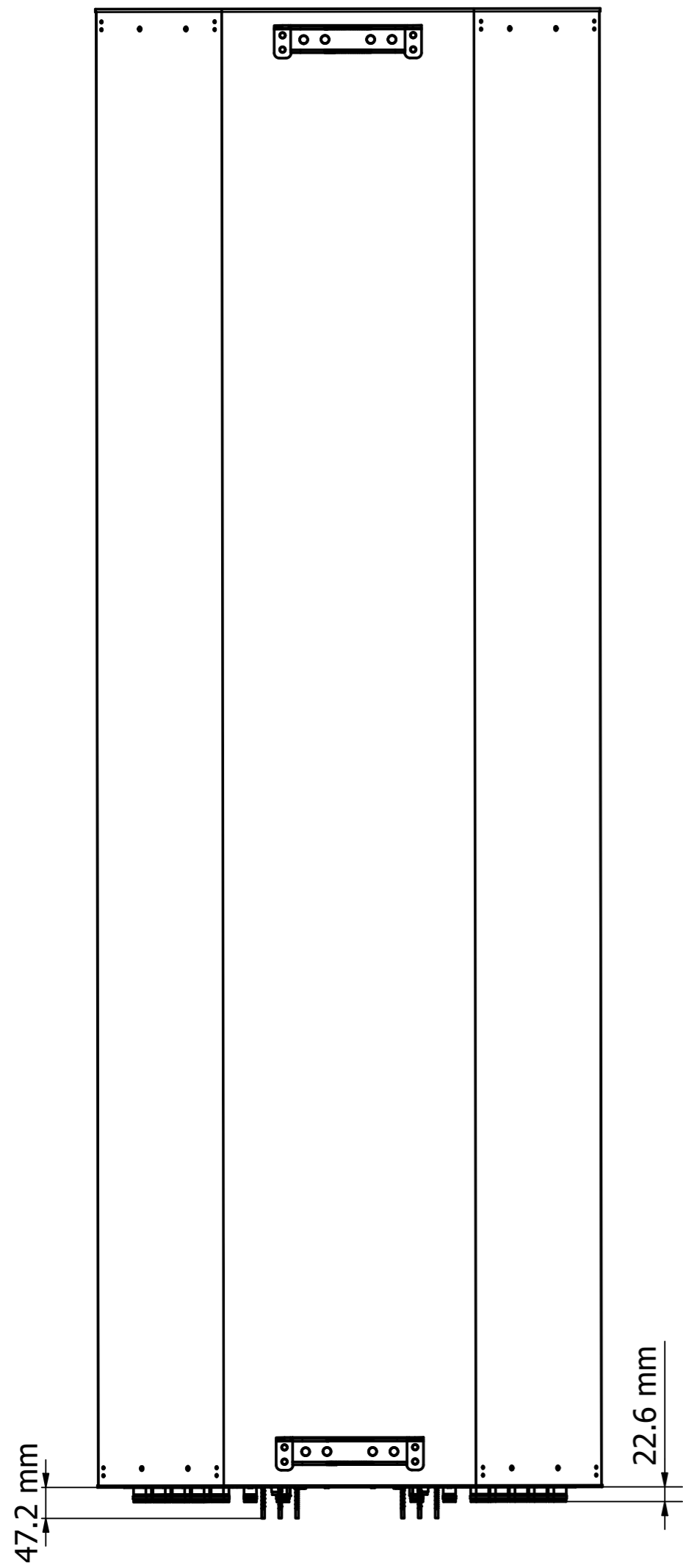
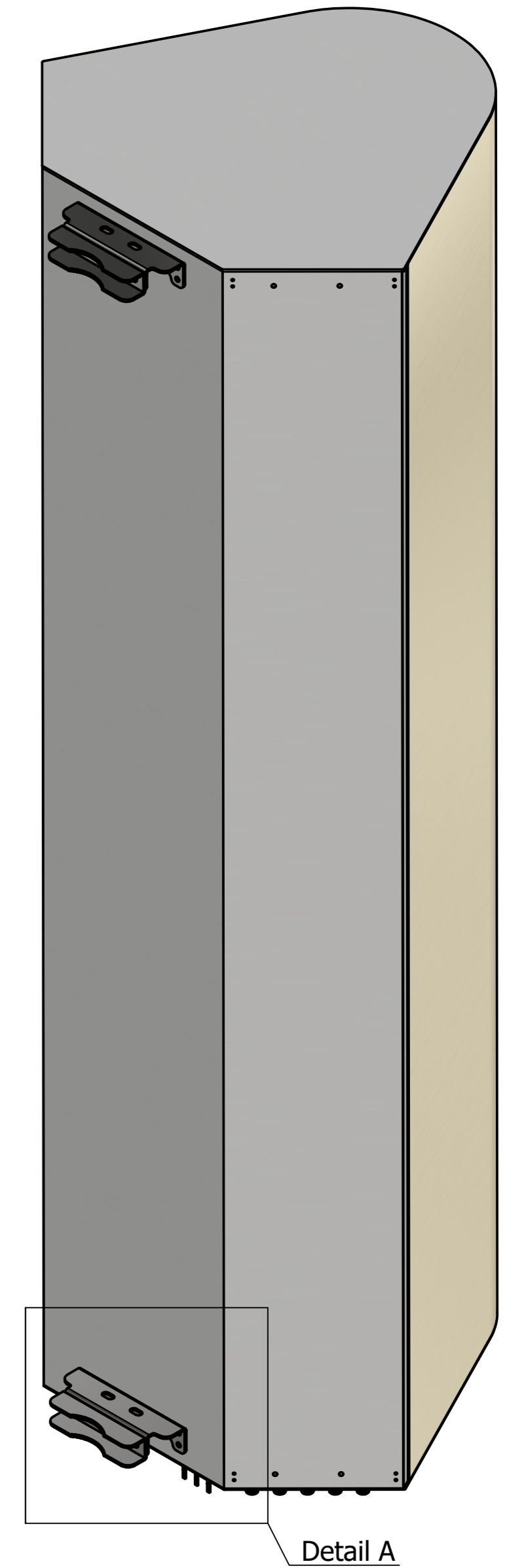


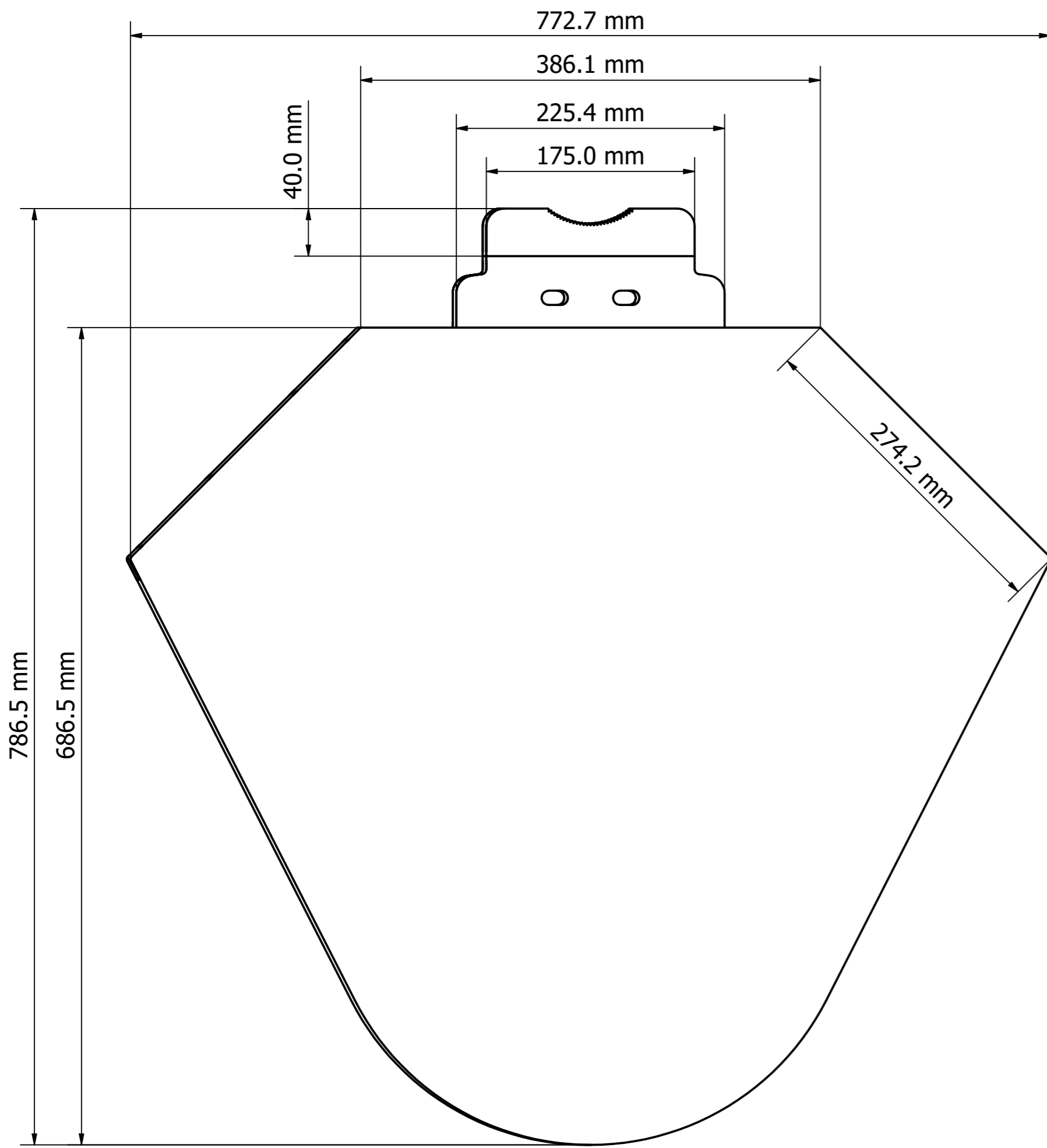
Designed by VIGNESH	Drawing by LAWRENCE	Date 21/3/2025	Approved by PAVEL	Date 21/3/2025	Quantity	Material
<b>MATSING</b> LENS TECHNOLOGY ENABLED						MS-MBC-4.2-H4-8-T4-16
MS-MBC-4.2-H4-8-T4-16 (mm)					Revision 1.0	Sheet 1 / 3



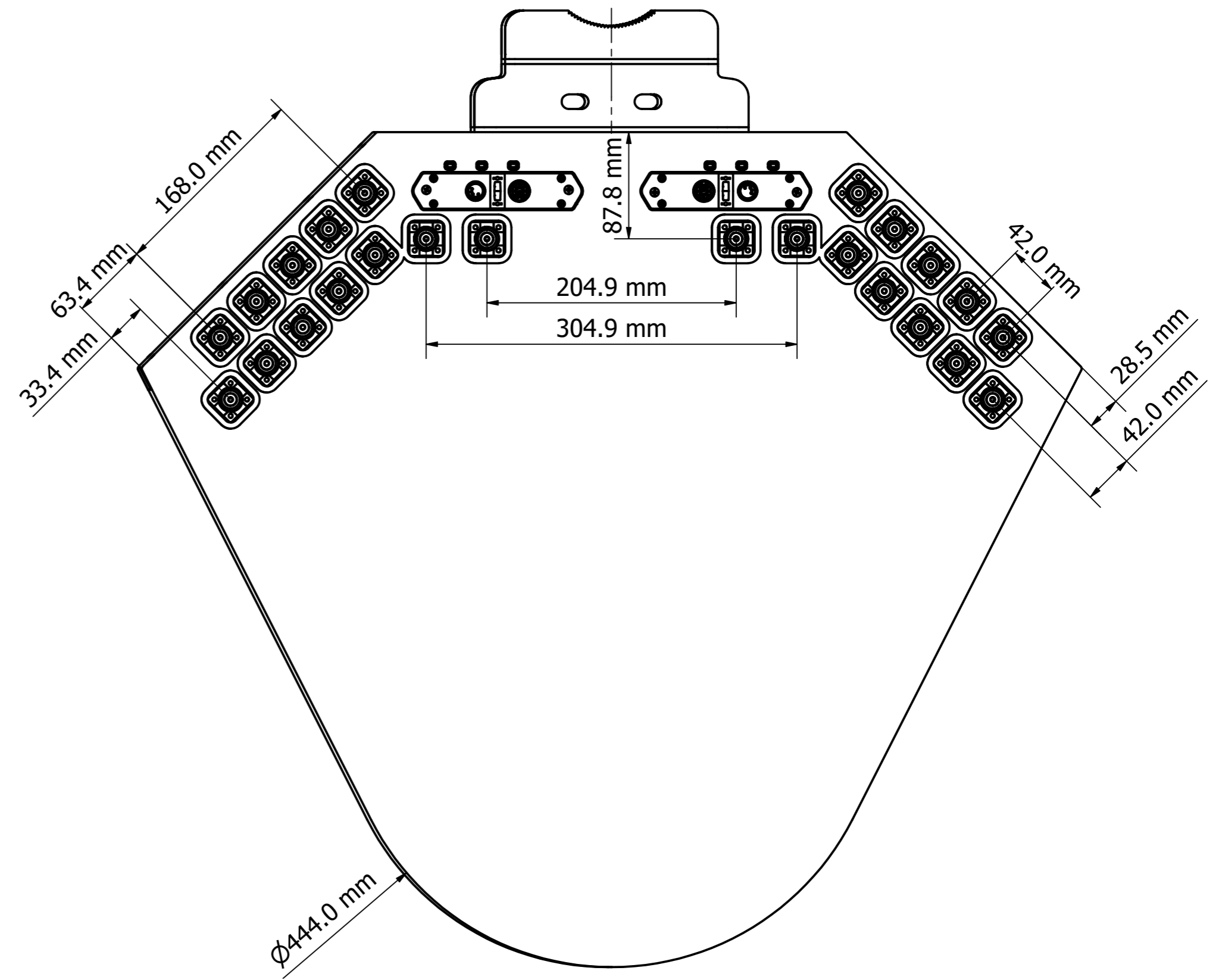
Detail A



Designed by VIGNESH	Drawing by LAWRENCE	Date 21/3/2025	Approved by PAVEL	Date 21/3/2025	Quantity	Material	
<b>MATSING</b> LENS TECHNOLOGY ENABLED						MS-MBC-4.2-H4-8-T4-16	
MS-MBC-4.2-H4-8-T4-16 (mm)						Revision 1.0	Sheet 2 / 3



Top View



Bottom View

Designed by VIGNESH	Drawing by LAWRENCE	Date 21/3/2025	Approved by PAVEL	Date 21/3/2025	Quantity	Material
<b>MATSING</b> LENS TECHNOLOGY ENABLED						MS-MBC-4.2-H4-8-T4-16
MS-MBC-4.2-H4-8-T4-16 (mm)					Revision 1.0	Sheet 3 / 3