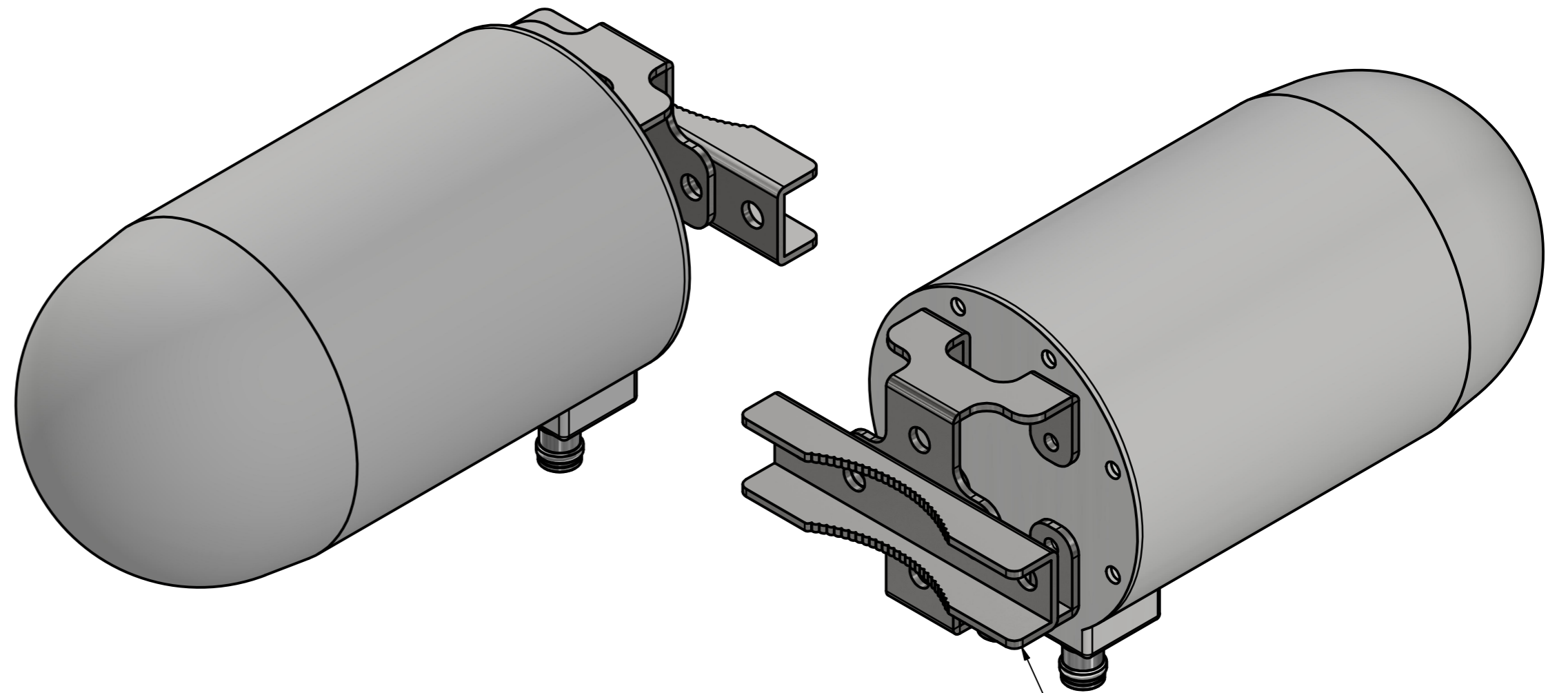
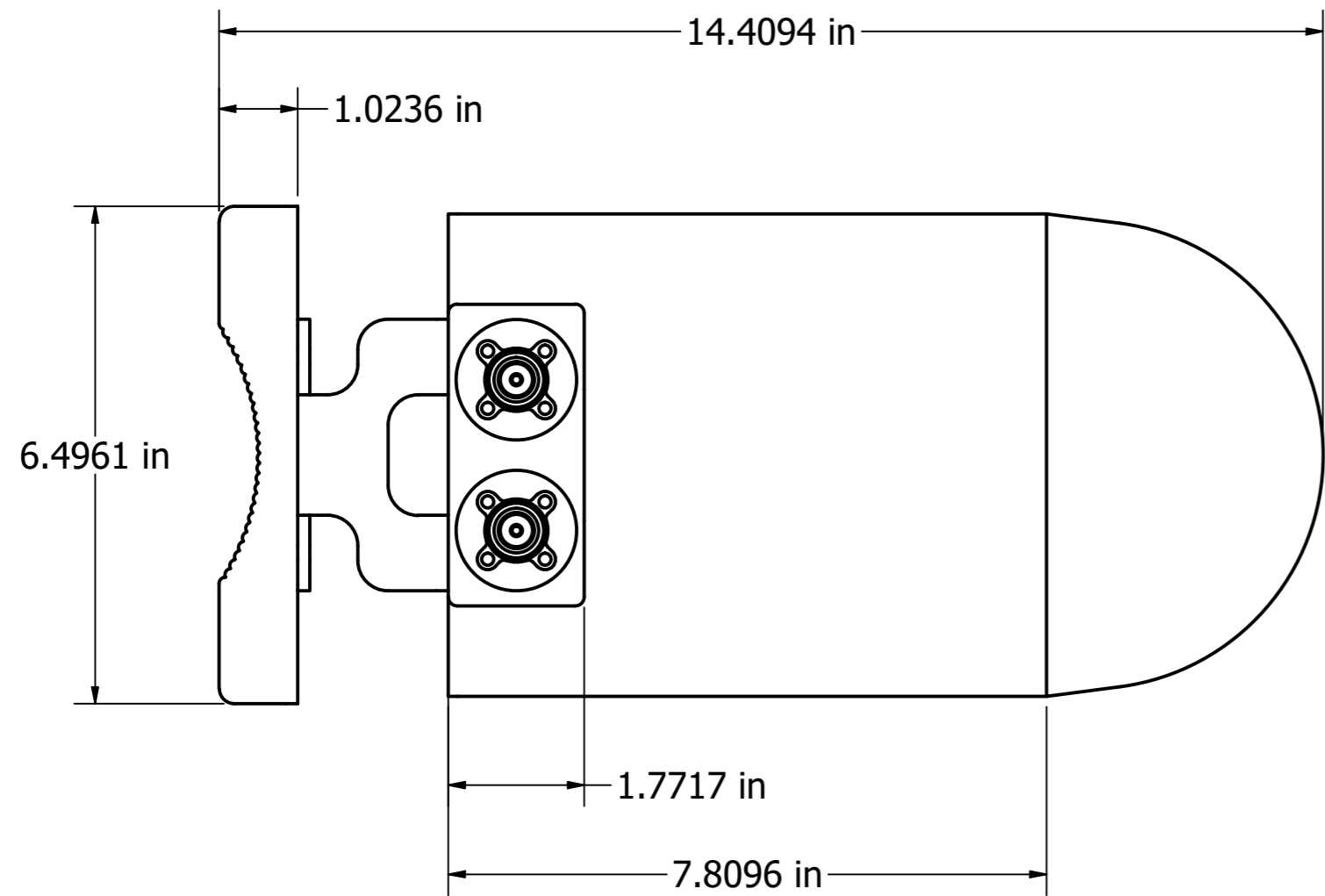
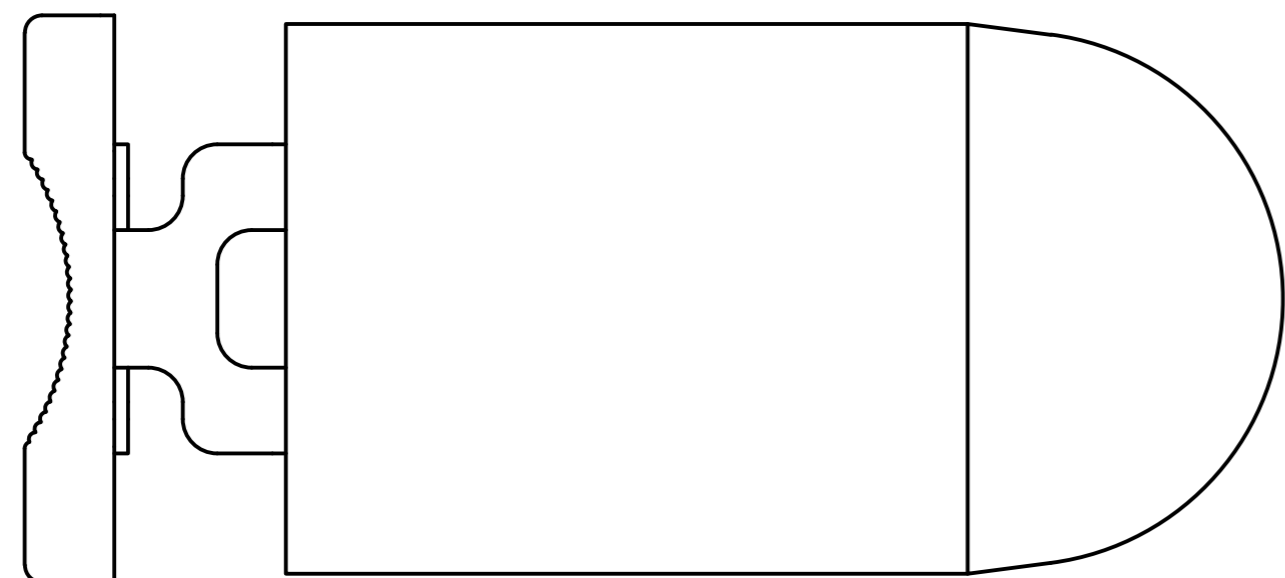
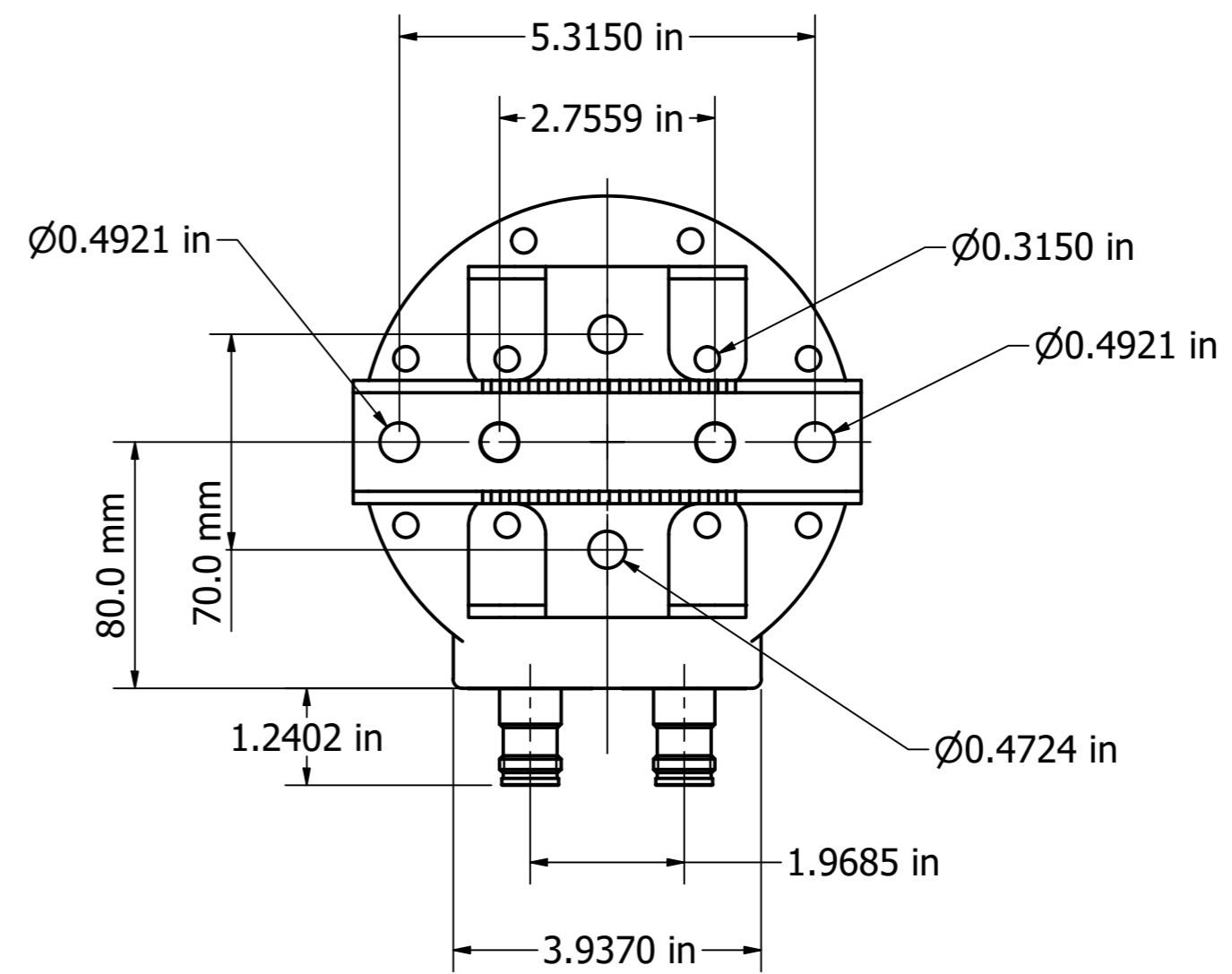
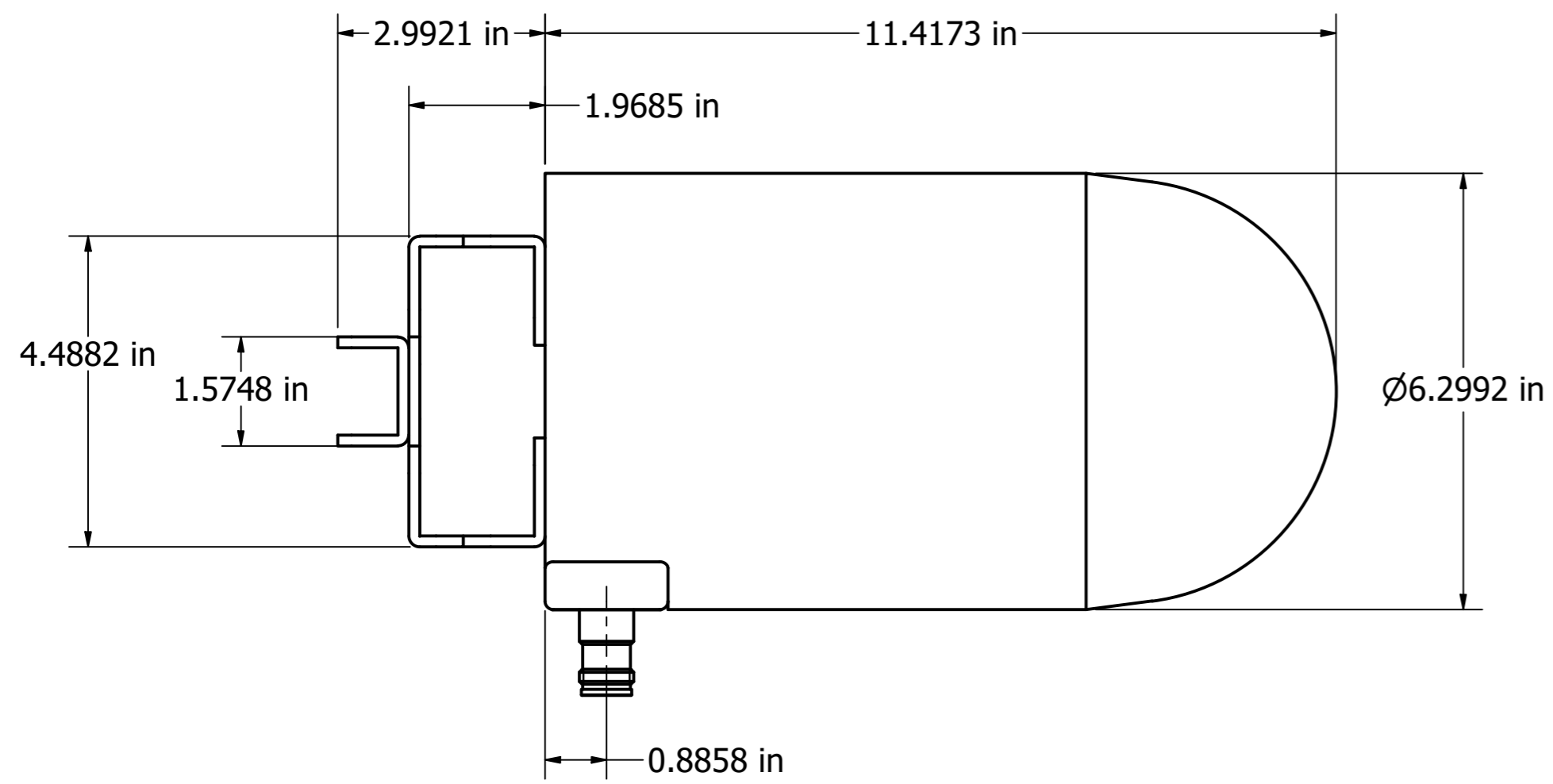


Designed by VIGNESH	Drawing by LAWRENCE	Date 21/11/2022	Approved by PAVEL	Date 22/11/2022	Quantity	Material
<b>MATSING</b> LENS TECHNOLOGY ENABLED						MS-SB23-F
MS-SB23-F (in)					Revision 1.0	Sheet 1 / 2



MOUNTING BRACKET



Designed by VIGNESH	Drawing by LAWRENCE	Date 21/11/2022	Approved by PAVEL	Date 22/11/2022	Quantity	Material
<b>MATSING</b> LENS TECHNOLOGY ENABLED						MS-SB23-F
MS-SB23-F (in)					Revision 1.0	Sheet 2 / 2