

MATSING®

LENS TECHNOLOGY ENABLED

MS-SBA-SLP-SB23-F & SB23-H Mounting Guide (Single beam antenna stadium laser pointer)

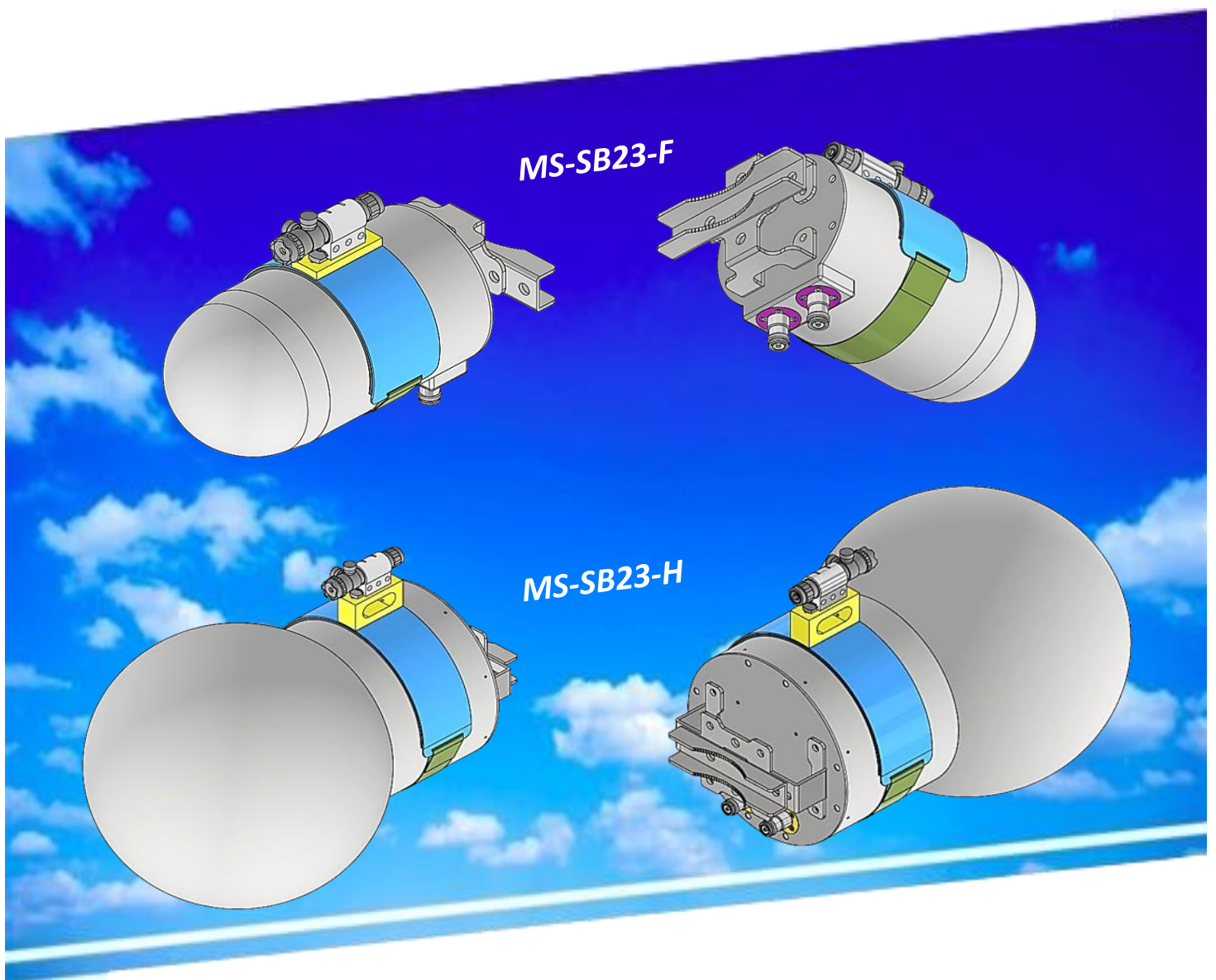


Table of Contents

1.00 MS-SB23-F Laser pointer overview

- 1.10 Antenna size
- 1.20 Laser pointer parts
 - 1.21 "PINTY" Laser pointer set
- 1.30 Laser pointer parts for assembly
 - 1.31 "PINTY" Laser parts
- 1.40 Laser pointer mounting bracket
 - 1.41 Mounting bracket
- 1.22 "BUGLEMAN" picatinny rails set
- 1.32 "BUGLEMAN" rail parts
- 1.42 Mounting bracket with Velcro tape

2.00 MS-SB23-F Laser pointer mounting guide

- 2.10 Assembly of the BUGLEMAN "small" rail onto the base plate.
- 2.20 Slot in the laser pointer holder and tighten the screw with an Allen key.
- 2.30 Sleeve in the mounting bracket from the front of the installed antenna.
- 2.40 Tighten and secure the Velcro belt by hand to the antenna body.
- 2.50 Loosen the pole bracket screw and tilt the antenna to the target direction with a laser pointer.
- 2.60 Once position set, tighten the pole bracket screw and loosen the Velcro belt to remove the mounting bracket.

3.00 MS-SB23-H Laser pointer overview

- 3.10 Antenna size
- 3.20 Laser pointer parts
 - 3.21 "PINTY" Laser pointer set
- 3.30 Laser pointer parts for assembly
 - 3.31 "PINTY" Laser parts
- 3.40 Laser pointer mounting bracket
 - 3.41 Mounting bracket
- 3.22 "BUGLEMAN" picatinny rails set
- 3.32 "BUGLEMAN" rail parts
- 3.42 Mounting bracket with Velcro tape

4.00 MS-SB23-H Laser pointer mounting guide

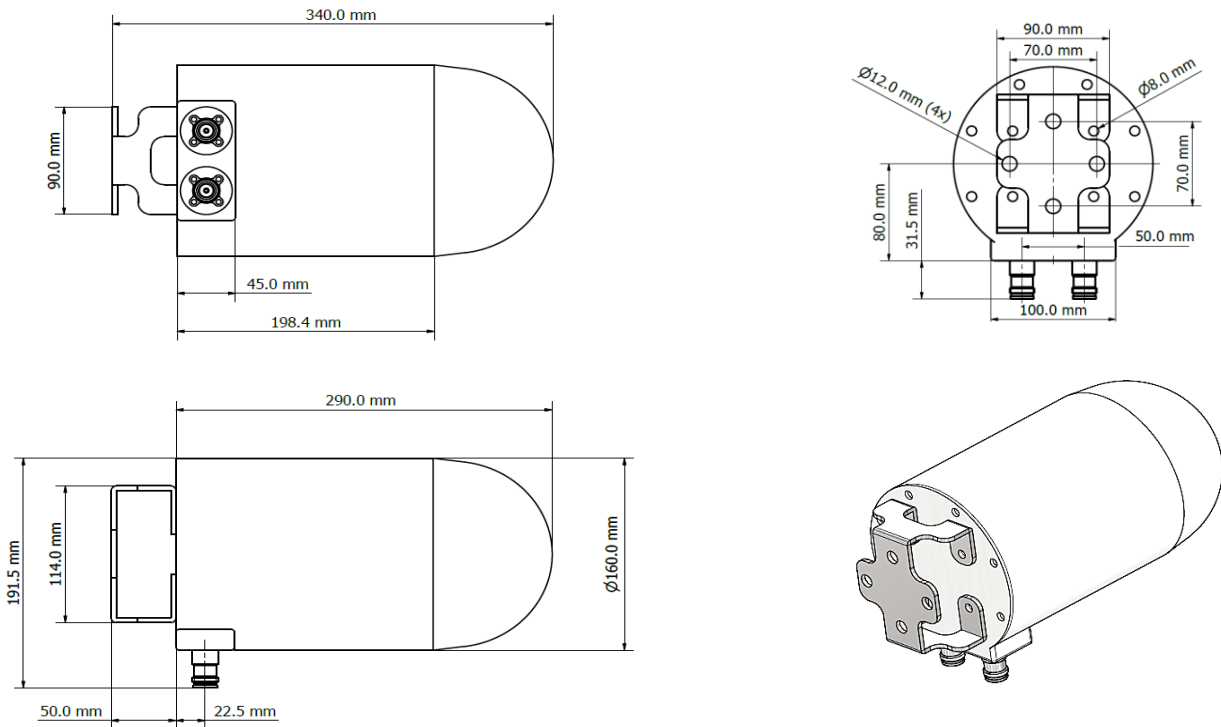
- 4.10 Assembly of the BUGLEMAN "medium" rail onto the base plate.
- 4.20 Slot in the laser pointer holder and tighten the screw with an Allen key.
- 4.30 Sleeve in the mounting bracket from the front of the installed antenna.
- 4.40 Tighten and secure the Velcro belt by hand to the antenna body.
- 4.50 Loosen the pole bracket screw and tilt the antenna to the target direction with a laser pointer.
- 4.60 Once position set, tighten the pole bracket screw and loosen the Velcro belt to remove the mounting bracket.

Revision History:

| <u>Date</u> | <u>Description</u> | <u>Rev By</u> | <u>Check By</u> | <u>Rev no</u> |
|-------------|--------------------|---------------|-----------------|---------------|
| 25-Sep-2024 | Initial Release | RL | Pavel | 0 |
| | | | | |

1.00 MS-SB23-F Laser pointer overview

1.10 Antenna size

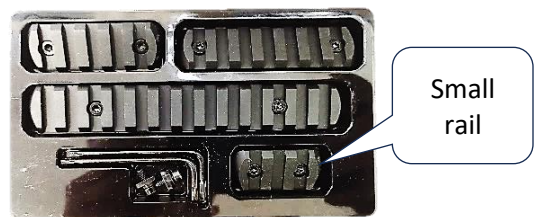


1.20 Laser pointer parts

1.21 "PINTY" Laser pointer set



1.22 "BUGLEMAN" picatinny rails set



1.30 Laser pointer parts for assembly

1.31 "PINTY" Laser parts



1.32 "BUGLEMAN" rail parts



1.40 Laser pointer mounting bracket

1.41 Mounting bracket

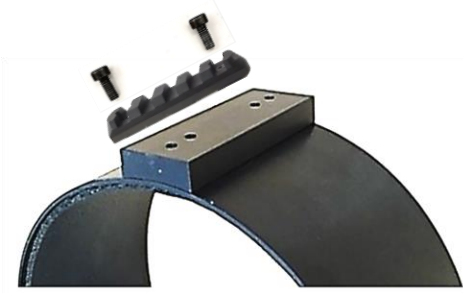


1.42 Mounting bracket with Velcro tape



2.00 MS-SB23-F Laser pointer mounting guide

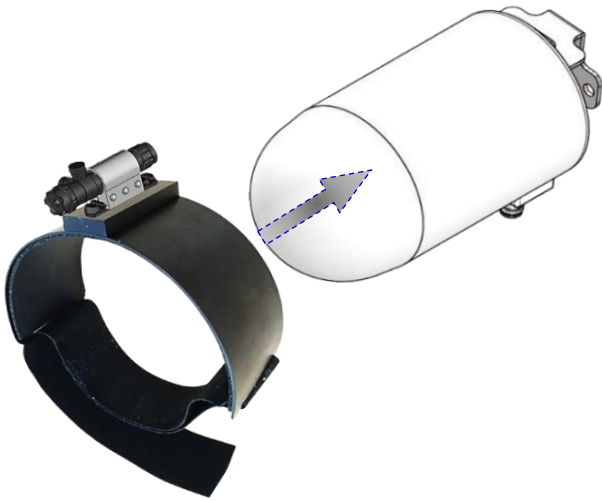
2.10 Assembly of the BUGLEMAN "small" rail onto the base plate.



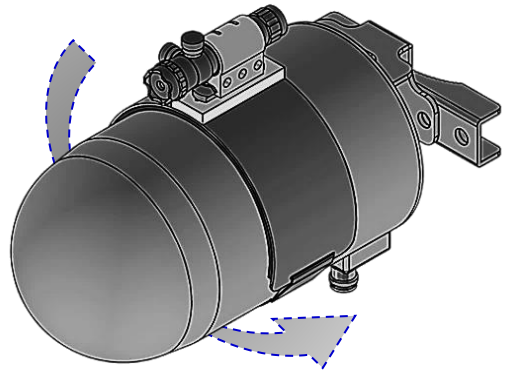
2.20 Slot in the laser pointer holder and tighten the screw with an Allen key.



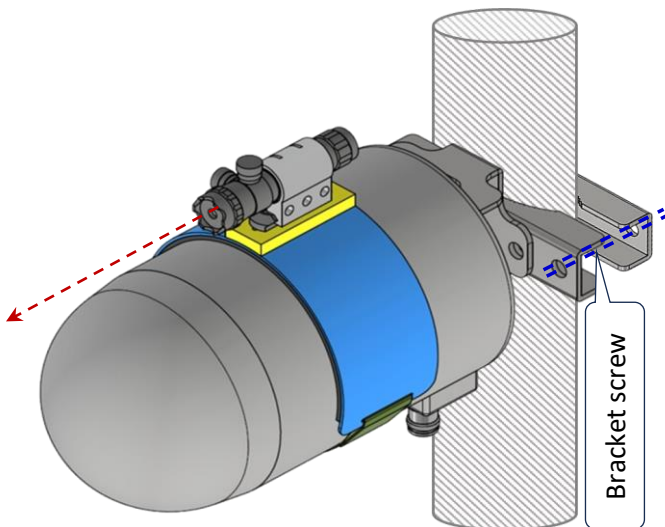
2.30 Sleeve in the mounting bracket from the front of the installed antenna.



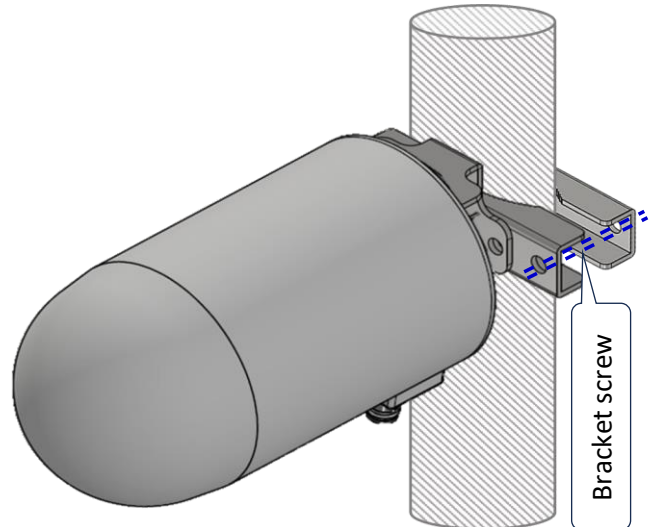
2.40 Tighten and secure the Velcro belt by hand to the antenna body.



2.50 Loosen the pole bracket screw and tilt the antenna to the target direction with a laser pointer.



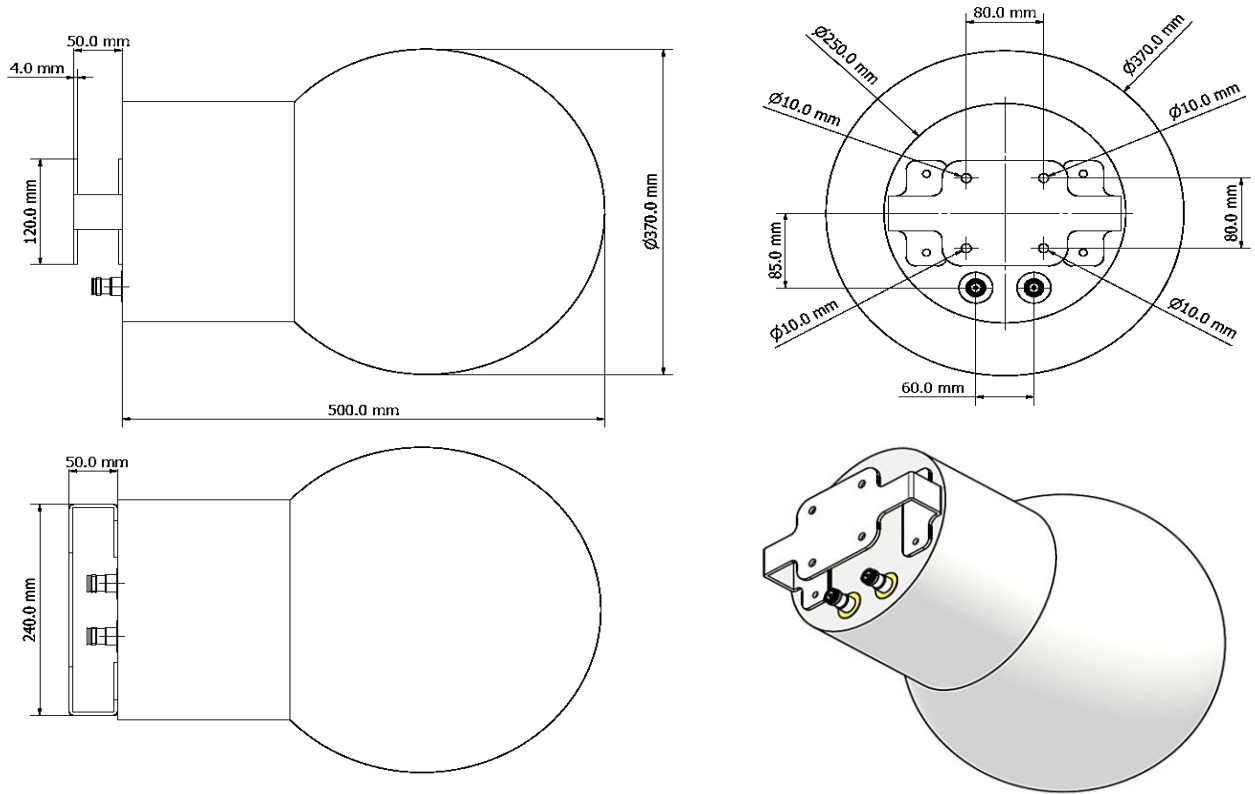
2.60 Once position set, tighten the pole bracket screw and loosen the Velcro belt to remove the mounting bracket.



Note: Repeat the same process for similar antenna models.

3.00 MS-SB23-H Laser pointer overview

3.10 Antenna size

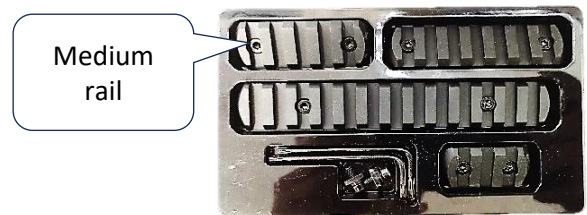


3.20 Laser pointer parts

3.21 "PINTY" Laser pointer set



3.22 "BUGLEMAN" picatinny rails set



3.30 Laser pointer parts for assembly

3.31 "PINTY" Laser parts



3.32 "BUGLEMAN" rail parts



3.40 Laser pointer mounting bracket

3.41 Mounting bracket



3.42 Mounting bracket with Velcro tape



4.00 MS-SB23-H Laser pointer mounting guide

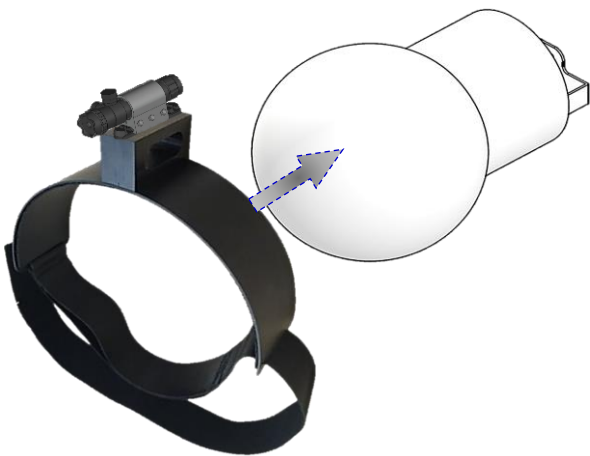
4.10 Assembly of the BUGLEMAN "medium" rail onto the base plate.



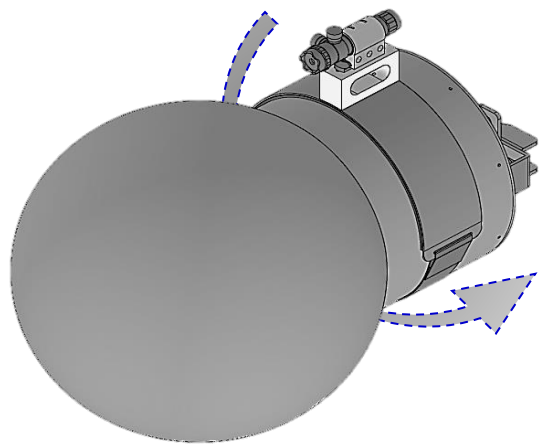
4.20 Slot in the laser pointer holder and tighten the screw with an Allen key.



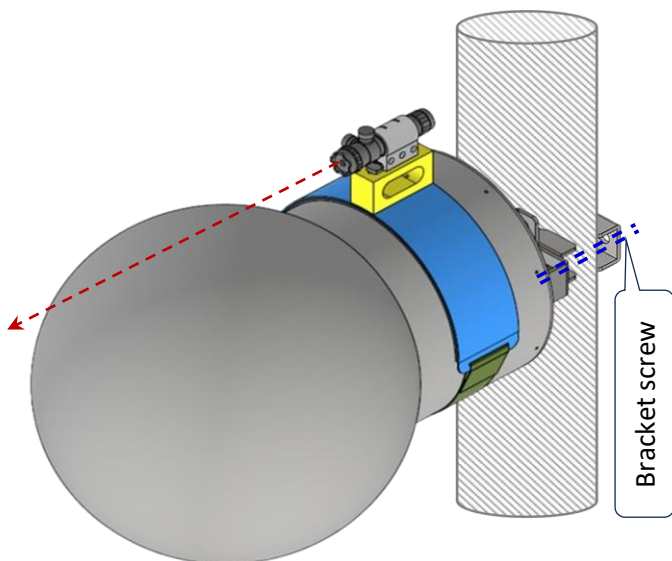
4.30 Sleeve in the mounting bracket from the front of the installed antenna.



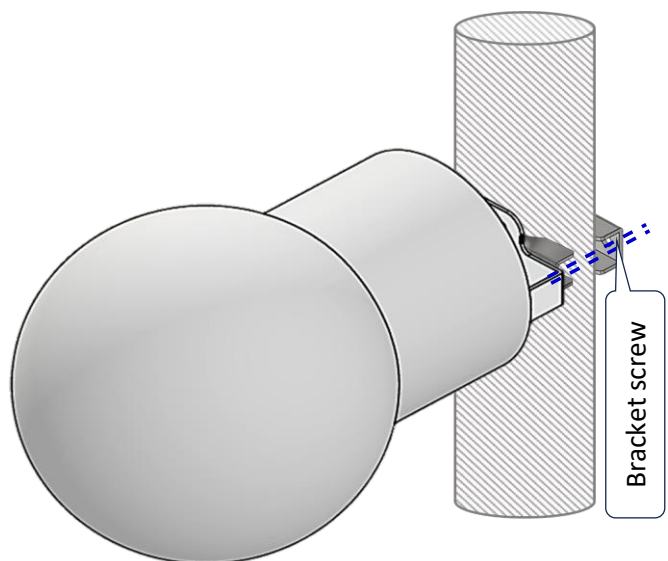
4.40 Tighten and secure the Velcro belt by hand to the antenna body.



4.50 Loosen the pole bracket screw and tilt the antenna to the target direction with a laser pointer.



4.60 Once position set, tighten the pole bracket screw and loosen the Velcro belt to remove the mounting bracket.



Note: Repeat the same process for similar antenna models.